

No.	15FE-3007
ISSUED:	APR. 2, 2007
REVISED:	MAR. 6, 2015



**HOSHIZAKI
CRESCENT CUBER**

MODEL KM-50A

PARTS LIST
(HE, HE/UK)

S-1 MAR. 2007
T-0 JAN. 2008
T-1 MAY 2008
U-0 JAN. 2009
U-1 FEB. 2009
V-0 JAN. 2010
V-1 JUN. 2010

AUXILIARY CODE

U - 1

The auxiliary code is the first two characters in the serial number. The first character indicates the production year. Years progress or regress in alphabetical order. The series of letters and skipped letters depend on UL listing, production, and model. See the auxiliary code(s) and corresponding year(s) on the front cover.

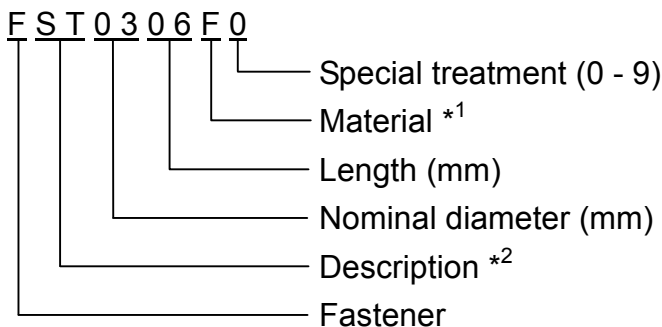
The second character indicates significant part changes within the same year. Base is "1" and this number advances for each change. If there is no significant part change at the turn of the year, this number starts from "0."

MARKS LOCATED UNDER THE AUXILIARY CODE

- = Part deleted.
- x = Part deleted and replaced by "o" part.
- o = New part in place of "x" part.

FASTENER PART NUMBER

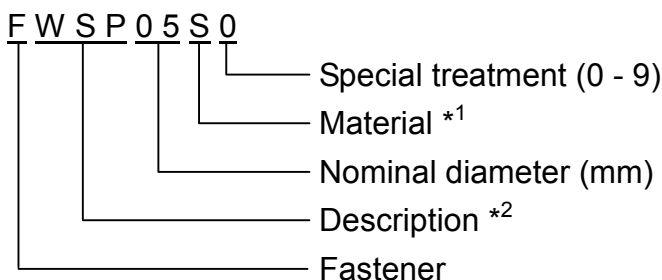
SCREWS



*1 Material

- F: Steel
- S: Austenitic stainless steel
- M: Martensitic stainless steel
- B: Copper alloy
- P: Polycarbonate
- N: Polyamide
- V: PVC
- A: ABS
- X: Polyacetal
- L: Aluminum

NUTS & WASHERS

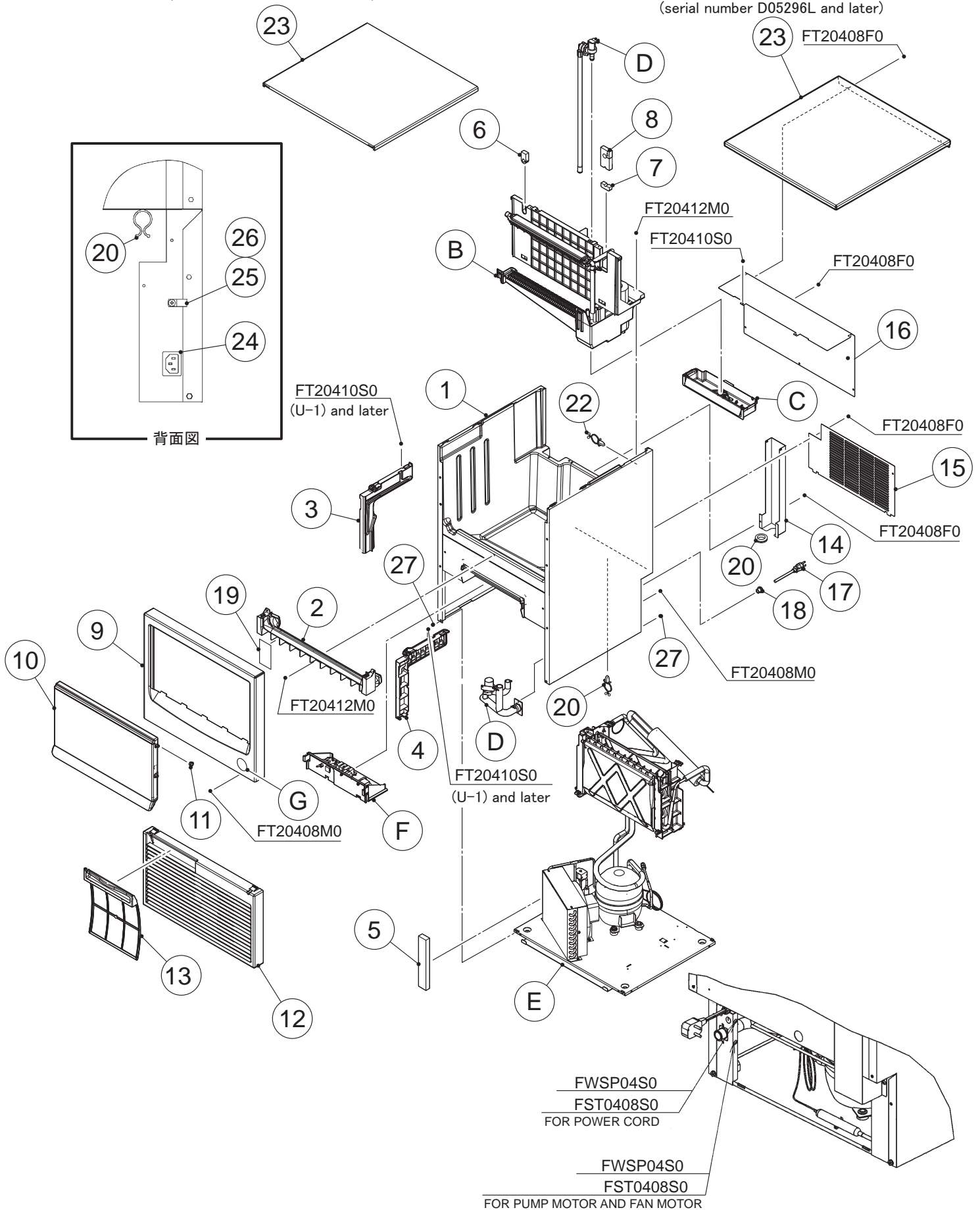


*2 Description

- First letter
- S: Machine screw
- T: Tapping screw
- M: Wood screw
- B: Bolt
- W: Washer
- N: Nut

(before serial number D05296L)

(serial number D05296L and later)

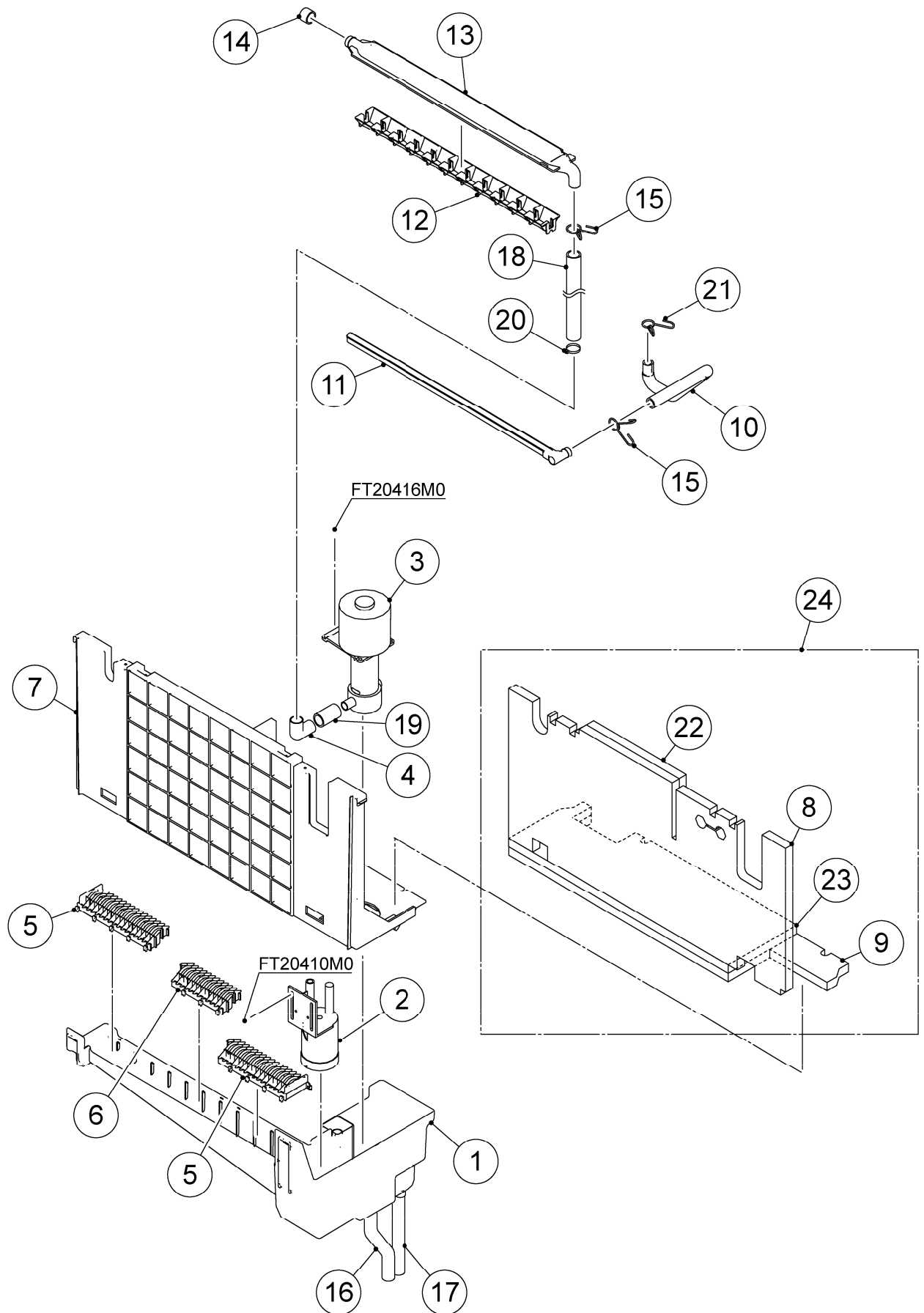


HE, HE/UK

MODEL: KM-50A								TITLE: A. ICE CUBER ASSY							
INDEX NO.	DESCRIPTION	MATERIAL OR MODEL NUMBER	PART NUMBER	REQ'D NUMBER											
				S-1, T-0	T-1, U-0	U-1, V-0	V-1								
B	ICE MAKING MECHANISM ASSY		118055A01	1	1	1	1								
C	MECHANICAL BIN SWITCH		369013A01	1	-	-	-								
			371151A01	-	1	1	1								
D	WATER CIRCUIT ASSY		252117A01	1	1	1	1								
E	REFRIGERATION CIRCUIT		118058A01	1	1	1	1								
F	CONTROL BOX ASSY		252005A03	1	1	1	1								
G	LABEL LOCATION		369015S02	1	1	1	1								
K	ACCESSORIES			1	1	1	1								
L	OPTIONAL PARTS	before serial number D05296L		1	1	1	1								
		serial number D05296L and later					-								
1	BODY ASSY		118052G01	1	1	-	-								
			119356G01	-	-	1	-								
			120504G01	-	-	-	1								
2	FRONT FRAME		250745-01	1	1	1	1								
3	RAIL (L)		117628-01	1	1	-	-								
			119369P01	-	-	1	1								
4	RAIL (R)		117629-01	1	1	-	-								
			119370P01	-	-	1	1								
5	AIR GUARD		470302-02	1	1	1	1								
6	GROMMET-PIPE (C)	SANTOPRENE	470311-01	1	1	1	1								
7	GROMMET-PIPE (B)	SANTOPRENE	470310-01	1	1	1	1								
8	GROMMET-PIPE (A)	SANTOPRENE	471029R01	1	1	1	1								
9	FRONT PANEL	before serial number D05296L	369014G01	1	1	1	1								
		serial number D05296L and later	380575G01				1								
10	DOOR		369051G01	1	1	1	1								
11	COLLAR		471009P01	4	4	4	4								
12	LOUVER		117635-01	1	1	1	1								
13	AIR FILTER		250727G01	1	1	1	1								
14	COVER - PIPE		369096M01	1	1	1	1								
15	REAR COVER		368312-01	1	1	1	1								
16	REAR PANEL	before serial number D05296L	368316-01	1	1	1	1								
		serial number D05296L and later	370654M01				1								

HE, HE/UK

MODEL: KM-50A		TITLE: A. ICE CUBER ASSY					
INDEX NO.	DESCRIPTION	MATERIAL OR MODEL NUMBER	PART NUMBER	REQ'D NUMBER			
				S-1, T-0	T-1, U-0	U-1, V-0	V-1
17	POWER SUPPLY CORD	HE	P00048-01	1	1	1	-
		HE/UK	P00182-01	1	1	1	-
18	BUSHING	CEE-SR-6 P-10	448949-01	1	1	1	-
19	SEAL - OVERFLOW		4Y4321P01	1	1	1	1
20	BUSHING		428394-04	1	1	1	1
21	CLAMP		427902-02	4	4	4	5
22	TWIST HOLDER		P00424-01	1	1	1	1
23	TOP PANEL ASSY	before serial number D05296L	369005A01	1	1	1	1
		serial number D05296L and later	380577A01				1
24	CONNECTOR		P02656-01	-	-	-	1
25	CLAMP		418814-06	-	-	-	1
26	T2 SCREW	4x8	FT20408F0	-	-	-	1
27	HEX. TAPPING SCREW W - FLANGE		P01572-01	4	4	4	4

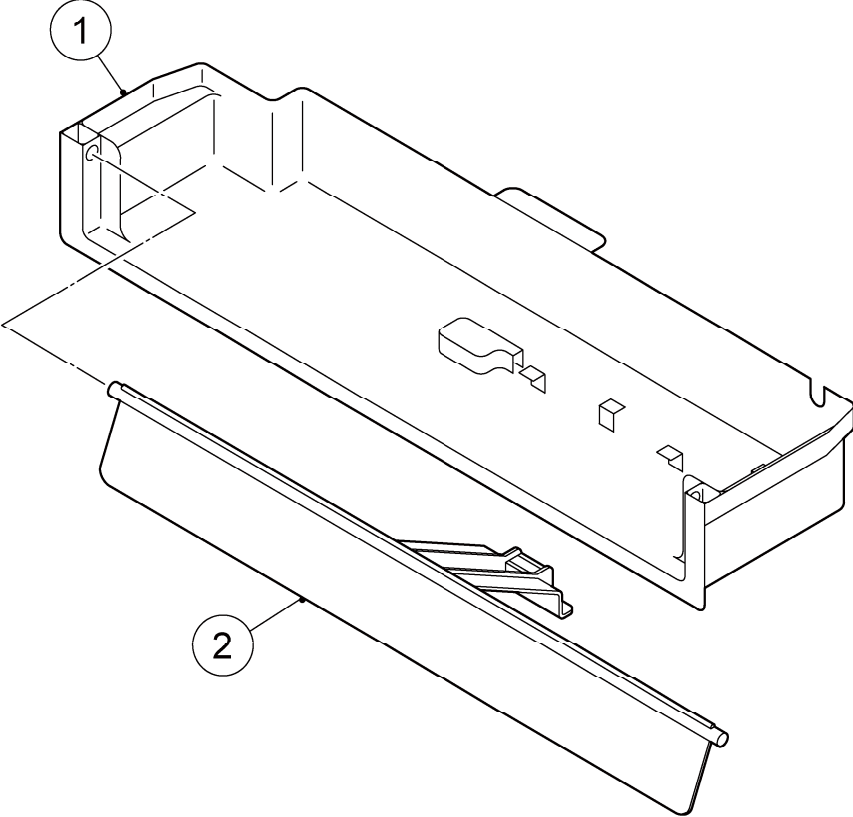


HE, HE/UK

MODEL: KM-50A				TITLE: B. ICE MAKING MECHANISM ASSY			
INDEX NO.	DESCRIPTION	MATERIAL OR MODEL NUMBER	PART NUMBER	REQ'D NUMBER			
				S-1,T-0	T-1,U-0	U-1,V-0	V-1
1	WATER TANK		117638-01	1	1	1	1
2	FLOAT SWITCH		4A3624-04	1	1	1	1
3	PUMP MOTOR	PV-0512BHZ1	P00020-01	1	1	1	1
4	ELBOW		417703-01	1	1	1	1
5	CUBE GUIDE (A)		250742-01	2	2	2	2
6	CUBE GUIDE (B)		250741-01	1	1	1	1
7	BRACKET - ICE MAKING		117631-01	1	1	1	1
8	INSULATION - MECHANISM (A)	Only available as No.24.	368345-01	-	-	-	-
9	INSULATION - MECHANISM (B)	Only available as No.24.	368344-01	-	-	-	-
10	WATER SUPPLY PIPE		369100R01	1	1	1	-
	WATER SUPPLY HOSE		374290R01				1
11	WATER SUPPLY TUBE		250743-01	1	1	1	1
12	SPRAY GUIDE		252052P01	1	1	1	-
			258313P03				1
13	SPRAY TUBE		250746-01	1	1	1	1
14	SPRAY TUBE CAP		370777R01	1	1	1	1
15	HOSE CLAMP		P02909-04	2	2	2	2
16	PIPE - OVERFLOW		369038P02	1	1	1	1
17	SILICONE HOSE	L=150 14 DIA x 18 DIA (CLEAR)	H11418150	1	1	1	1
18	SILICONE HOSE	L=370 14 DIA x 18 DIA (CLEAR)	H11418370	1	1	1	-
		L=350 14 DIA x 18 DIA (CLEAR)	H11418350				1
19	SILICONE HOSE	L=30 14 DIA x 18 DIA (CLEAR)	H11418030	2	2	2	2
20	CABLE TIE	CV-100	7920-0002	3	3	3	3
21	HOSE CLAMP		P02909-07	1	1	1	1
22	INSULATION - MECHANISM (C)	Only available as No.24.	3Y2432Z01	-	-	-	-

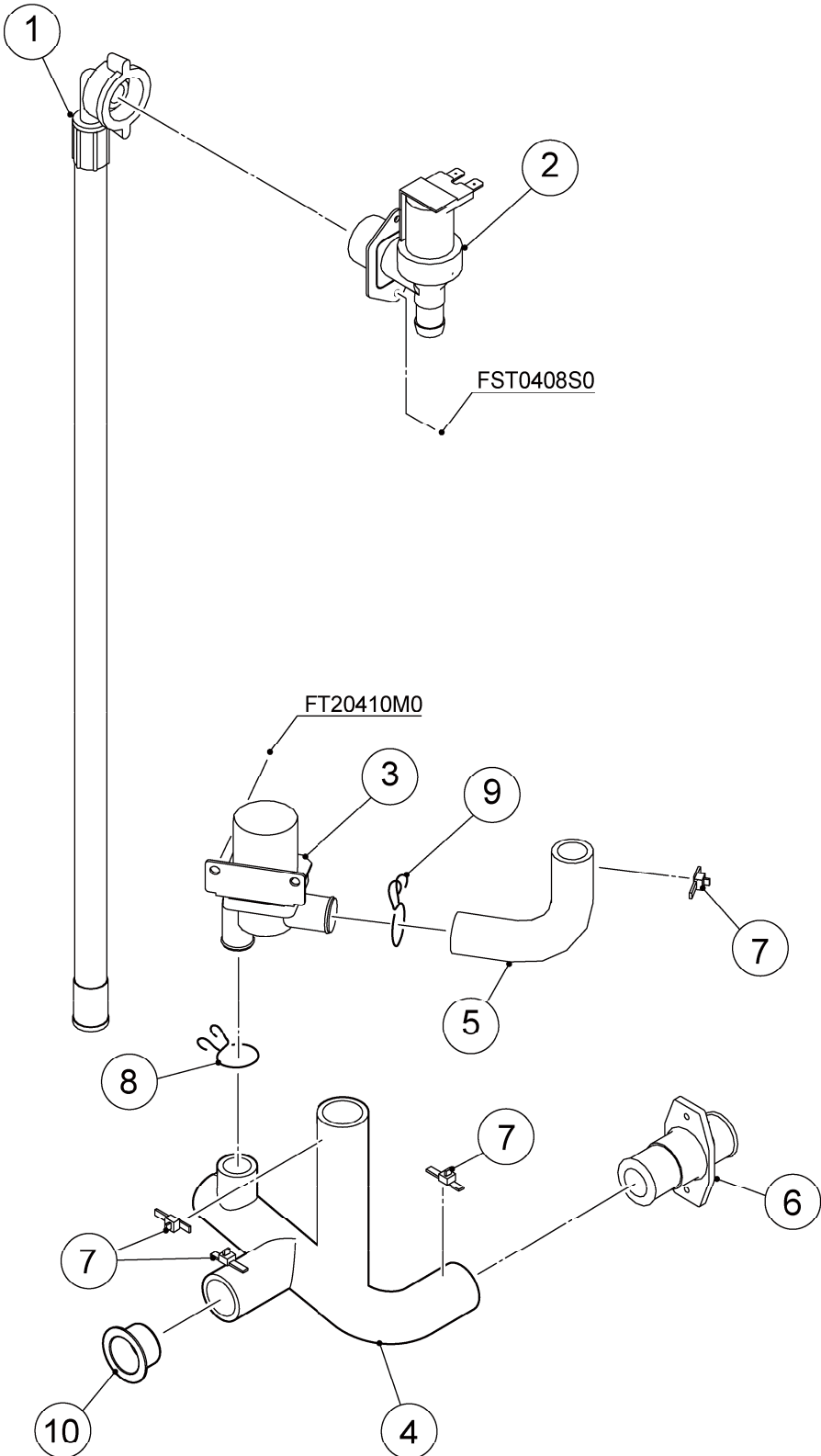
HE, HE/UK

MODEL: KM-50A		TITLE: B. ICE MAKING MECHANISM ASSY					
INDEX NO.	DESCRIPTION	MATERIAL OR MODEL NUMBER	PART NUMBER	REQ'D NUMBER			
				S-1,T-0	T-1,U-0	U-1,V-0	V-1
23	INSULATION - MECHANISM (D)	Only available as No.24.	3Y2433Z01	-	-	-	-
24	INSULATION - MECHANISM		256826P01			1	1



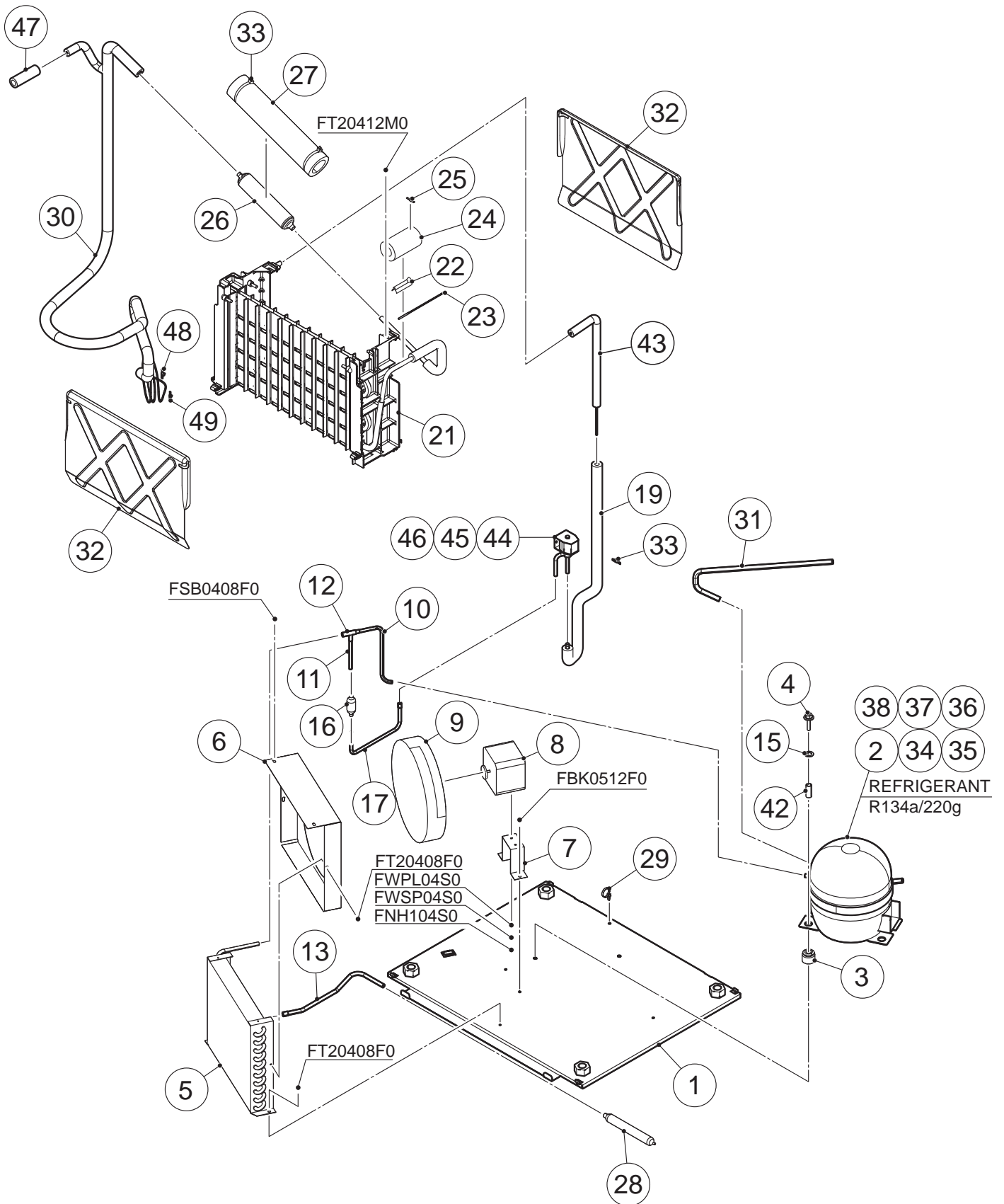
HE, HE/UK

MODEL: KM-50A		TITLE: C. MECHANICAL BIN SWITCH					
INDEX NO.	DESCRIPTION	MATERIAL OR MODEL NUMBER	PART NUMBER	REQ'D NUMBER			
				S-1,T-0	T-1,U-0	U-1,V-0	V-1
1	MECHANICAL SWITCH CASE		369019G01	1	-		
			371153G01		1	1	1
2	DETECTOR		369020G01	1	-		
			371152G01		1	1	1



HE, HE/UK

MODEL: KM-50A		TITLE: D. WATER CIRCUIT ASSY					
INDEX NO.	DESCRIPTION	MATERIAL OR MODEL NUMBER	PART NUMBER	REQ'D NUMBER			
				S-1,T-0	T-1,U-0	U-1,V-0	V-1
1	INLET HOSE		P00554-01	1	1	1	1
2	WATER VALVE	1260067 1.2L/min	P00021-01	1	1	1	1
3	SOLENOID VALVE	FDC90-02	P00018-01	1	1	1	1
4	DRAIN HOSE	SANTOPRENE	370704R01	1	1	1	1
5	HOSE - VALVE	SANTOPRENE	470304-01	1	1	1	1
6	DRAIN PIPE		369099P01	1	1	1	1
7	CABLE TIE	CV-150	7920-0003	4	4	4	4
8	HOSE - CLAMP		P02909-05	1	1	1	1
9	HOSE - CLAMP		P02909-06	1	1	1	1
10	CAP		472250P01	1	1	1	1

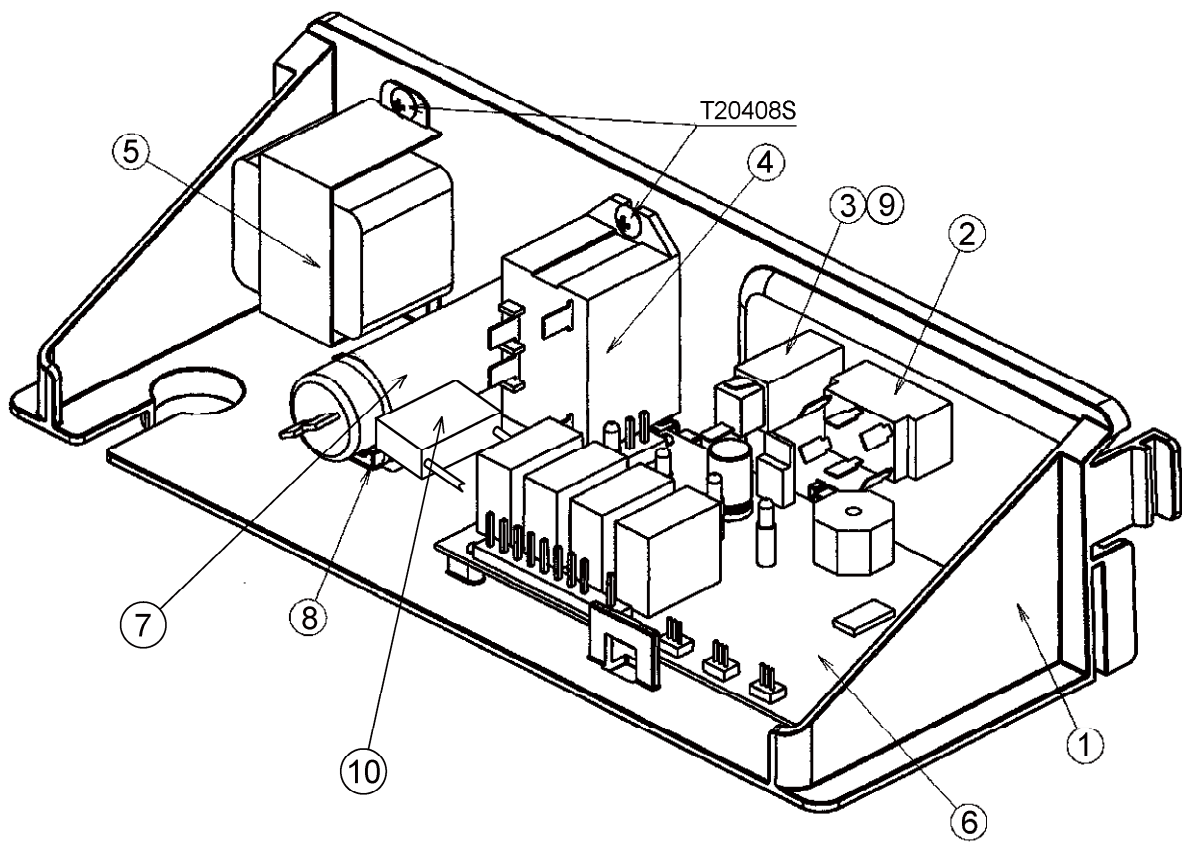


HE, HE/UK

MODEL: KM-50A		TITLE: E. REFRIGERATION CIRCUIT					
INDEX NO.	DESCRIPTION	MATERIAL OR MODEL NUMBER	PART NUMBER	REQ'D NUMBER			
				S-1, T-0	T-1, U-0	U-1, V-0	V-1
1	BASE		370323G01	1	1	1	1
2	COMPRESSOR	QA91K21CAW5-HOLE	P00051-01	1	1	1	1
3	RUBBER GROMMET	01-228511	459218-01	4	4	4	4
4	HEX HEAD BOLT W/WASHER [SW]	6 x 30	FBK0630S0	2	2	2	2
5	CONDENSER - AIR COOLED		P00028-01	1	1	1	1
6	SHROUD		368318-01	1	1	1	1
7	BRACKET - FM		470291-01	1	1	1	1
8	FAN MOTOR	M4Q045-CA03-51	P00022-01	1	1	1	1
9	FAN BLADE	200 DIA (34°)	P00029-01	1	1	1	1
10	COPPER TUBE - H-1	COPPER TUBE(H) 370320G01	370311M01	1	1	1	-
		COPPER TUBE(H) 374031G01	474963M01				1
11	COPPER TUBE - H-2	COPPER TUBE(H) 370320G01	470300-01	1	1	1	1
		374031G01					
12	TEE	COPPER TUBE(H) 370320G01	420041-03	1	1	1	1
		374031G01					
13	COPPER TUBE - H-4		471937M01	1	1	1	1
15	WASHER		4Y4450M01	2	2	2	2
16	STRAINER		P00008-01	1	1	1	1
17	COPPER TUBE - H-3		471936M01	1	1	1	1
19	COPPER TUBE - HOT GAS		370321G01	1	1	1	1
21	EVAPORATOR ASSY		252011G01	1	1	1	-
			258542G01				1
22	THERMISTOR HOLDER		436455-01	1	1	1	1

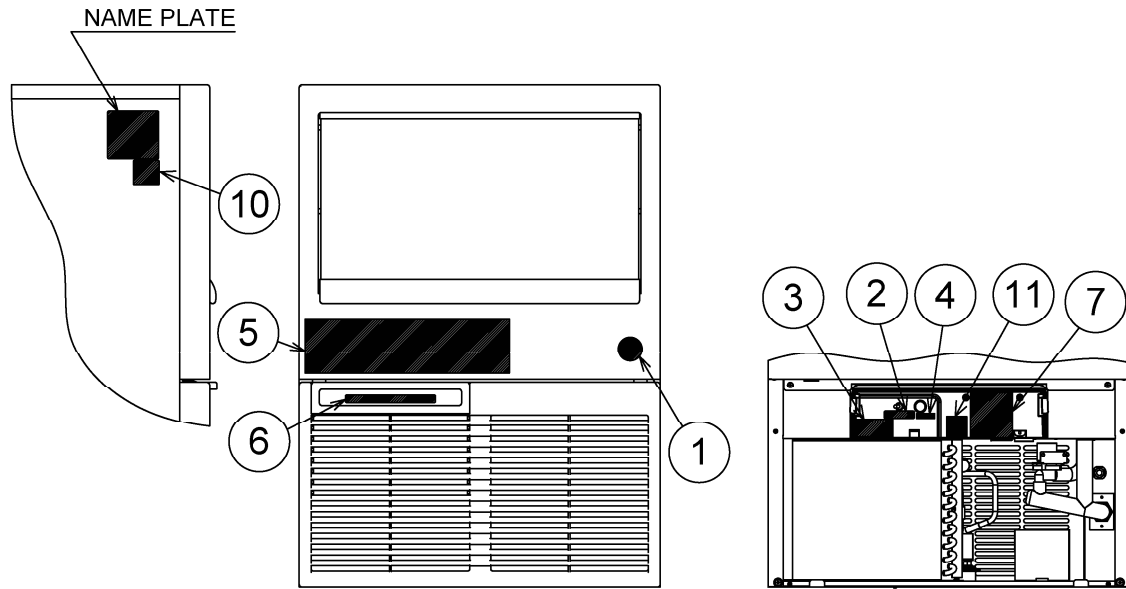
HE, HE/UK

MODEL: KM-50A		TITLE: E. REFRIGERATION CIRCUIT					
INDEX NO.	DESCRIPTION	MATERIAL OR MODEL NUMBER	PART NUMBER	REQ'D NUMBER			
				S-1, T-0	T-1, U-0	U-1, V-0	V-1
23	THERMISTOR	NBFC-36-H60-1	P00027-01	1	1	1	1
24	INSULATION - THERMISTOR		471010Z01	1	1	1	1
25	CABLE TIE	CV-100	7920-0002	3	3	3	3
26	ACCUMULATOR		P00010-02	1	1	1	1
27	ACCUMULATOR COVER		369039Z02	1	1	1	1
28	DRIER		P00007-01	1	1	1	1
29	PUSH MOUNT TIE	T30RSF	436156-01	1	1	1	1
30	HEAT EXCHANGER		370322G01	1	1	1	-
			258720G01				1
31	COPPER TUBE - PROCESS(A)		471008M01	1	1	1	-
			374033M01				1
32	SEPARATOR		250749-01	2	2	2	2
33	CABLE TIE	CV-200	7920-0010	4	4	4	4
34	STARTING RELAY	MM5-50C	P00361-01	1	1	1	1
35	MOTOR PROTECTOR	MM3-28GCF	P00362-01	1	1	1	1
36	PROTECTOR COVER	01-899613	P00356-01	1	1	1	1
37	CLAMP	01-245233	459222-01	1	1	1	1
38	CLIP	01-246801	438847-01	1	1	1	1
42	GROMMET SLEEVE	01-220430	459229-01	2	2	2	2
43	COPPER TUBE(B) - HOT GAS		4Y4336G01	1	1	1	1
44	VALVE BODY	AMS - B24BH DU - 1	4A3275-01	1	1	1	1
45	COIL - VALVE		P00810-01	1	1	1	1
46	BOLT		P00811-01	1	1	1	1
47	INSULATION TUBE	7762-1323 L=70	H71323070	1	1	1	1
48	CABLE TIE	CV-150	7920-0003	1	1	1	1
49	CABLE TIE	CV-70	7920-0001	1	1	1	1



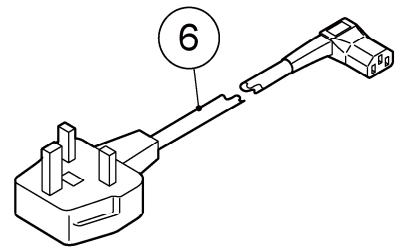
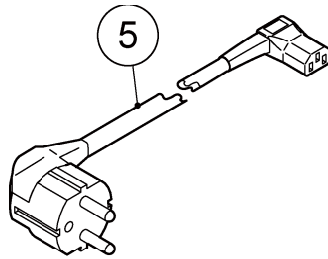
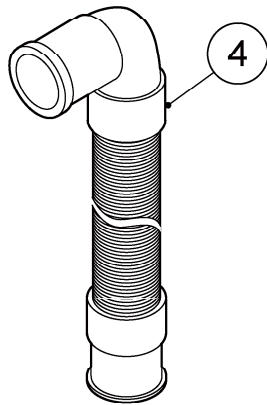
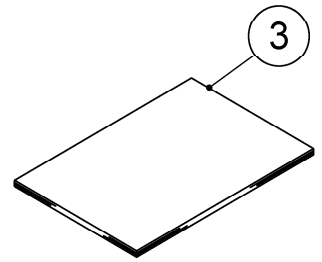
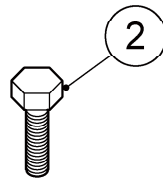
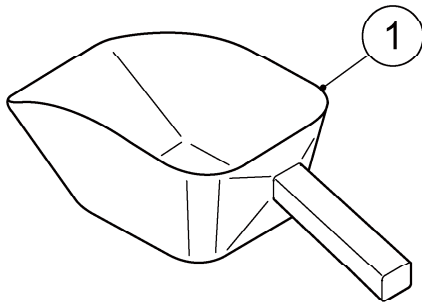
HE, HE/UK

MODEL: KM-50A		TITLE: F. CONTROL BOX ASSY					
INDEX NO.	DESCRIPTION	MATERIAL OR MODEL NUMBER	PART NUMBER	REQ'D NUMBER			
				S-1,T-0	T-1,U-0	U-1,V-0	V-1
1	CONTROL BOX		117624-01	1	1	1	1
2	TOGGLE SWITCH	KND-203	P00033-01	1	1	1	1
3	FUSE HOLDER	BF115	P00014-01	1	1	1	1
4	POWER RELAY	G7L-1A-TUB	P00034-01	1	1	1	1
5	TRANSFORMER	DB48-26	P00012-01	1	1	1	1
6	CONTROLLER BOARD	HKM2006V003	P01771-02	1	1	1	1
7	START CAPACITOR	25 μ F 300V	4Y1490-01	1	1	1	1
8	CABLE TIE	CV-200	7920-0010	1	1	1	1
9	FUSE	125/250V 5A	P00015-01	1	1	1	1
10	CAPACITOR	REB474	P00228-01	1	1	1	1



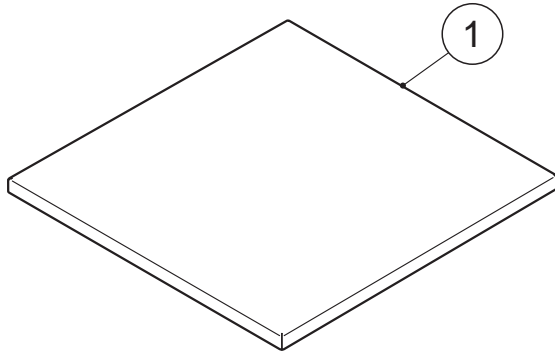
HE, HE/UK

MODEL: KM-50A		TITLE: G. LABEL LOCATION					
INDEX NO.	DESCRIPTION	MATERIAL OR MODEL NUMBER	PART NUMBER	REQ'D NUMBER			
				S-1,T-0	T-1,U-0	U-1,V-0	V-1
1	LOGO LABEL - PENGUIN		471486L01	1	1	1	1
2	CONTROL LABEL - FUSE		476009L01	1	1	1	1
3	CAUTION LABEL		464507-01	1	1	1	1
4	-		-	-			
5	MAINTENANCE LABEL		369056L01	1	1	1	1
6	LABEL - AIR FILTER		426177-01	1	1	1	1
7	CAUTION LABEL - SERVICE		471180L01	1	1	1	1
10	LABEL - HACCP		476519L01	1	1	1	1
11	CAUTION LABEL		381437L01				1



HE, HE/UK

MODEL: KM-50A		TITLE: K. ACCESSORIES					
INDEX NO.	DESCRIPTION	MATERIAL OR MODEL NUMBER	PART NUMBER	REQ'D NUMBER			
				S-1,T-0	T-1,U-0	U-1,V-0	V-1
1	SCOOP		1H4123P02	1	1	1	1
2	BOLT	M20 x 35	FBH2035F0	4	4	4	4
3	INSTRUCTION MANUAL		L115FD206	1	1	1	1
4	OUTLET HOSE		P00055-01	1	1	1	1
5	POWER SUPPLY CORD		P02794-01				1
6	POWER SUPPLY CORD		P02795-01				1



HE, HE/UK

MODEL: KM-50A		TITLE: L. OPTIONAL PARTS					
INDEX NO.	DESCRIPTION	MATERIAL OR MODEL NUMBER	PART NUMBER	REQ'D NUMBER			
				S-1, T-0	T-1, U-0	U-1, V-0	V-1
1	COVER - TOP PANEL	before serial number D05296L	266603M01	1	1	1	1
		serial number D05296L and later					-