

NO. A2FA-A032

ISSUED: FEB. 24, 1999



**HOSHIZAKI
CUBELET ICE DISPENSER**

**MODEL
DCM-230FE**

PARTS LIST

DCM-230FE-UK

H-0 June, 1998

J-0 Feb., 1999

M ATERIAL ABBREVIATIONS

ALUMINUM

AL = Aluminum

COPPER

CU = Copper

PLASTIC

ABS = Acrylonitrile-butadiene-styrene
 AC = Polyacetal
 EVA = Ethylene vinyl acetate
 PA = Polyamide = Nylon
 PC = Polycarbonate
 PE = Polyethylene
 PES = Polyester
 PETP = Polyethylene terephthalate = Teflon
 PP = Polypropylene
 PS = Polystyrene
 PTFE = Polytetrafluoroethylene = Teflon
 PUR = Polyurethane
 PVC = Polyvinyl chloride

RUBBER

VN = Vinyl Nitrile
 EPDM = EP rubber
 NBR = Nitrile butadiene rubber
 NR = Natural rubber
 NP = Neoprene
 SLR = Silicone rubber
 SYR = Synthetic rubber
 EPH = Epichlorohydrin

STEEL

GS = Galvanized steel
 SS = Stainless steel
 PS = Plated steel
 PAS = Primed steel

AUXILIARY CODE

Ex.1

(Note) - = Part deleted.

x = Part deleted and replaced by "o" part.

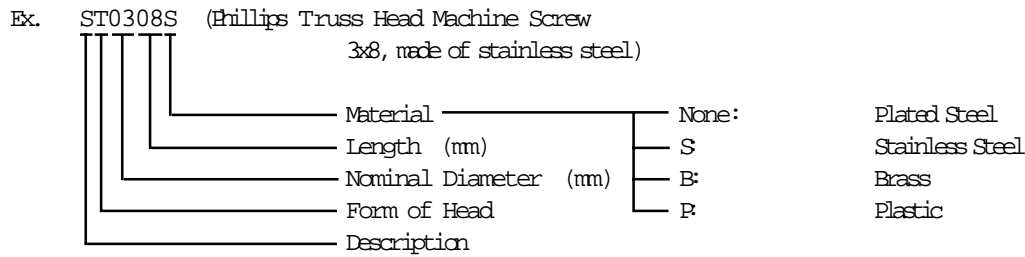
o = New part for "x" in the same auxiliary code.

Ex.2

Ex.3

FASTENER ABBREVIATION LIST

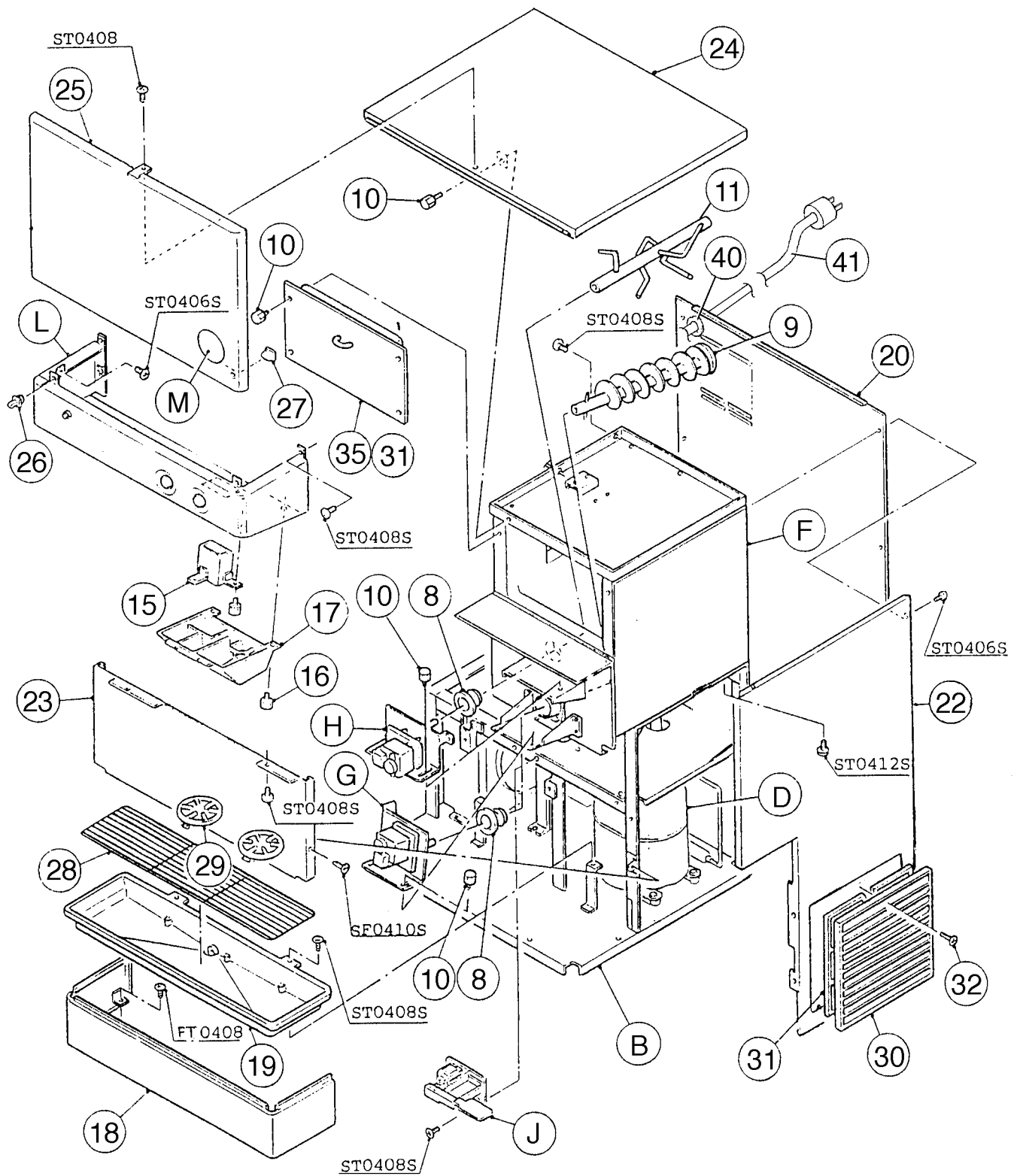
ST	Phillips Truss Machine Screw
SP	Phillips Pan Head Machine Screw
SF	Phillips Flat Head Machine Screw
SS	Phillips Pan Head Machine Screw with Split Lock Washer
S W	Phillips Pan Head Machine Screw with Split Lock Washer and Flat Washer
T1	Phillips Truss Head Tapping Screw (Correspond to Type A)
T2	Phillips Truss Head Tapping Screw (Correspond to Type B)
T3	Phillips Truss Head Tapping Screw (Correspond to Type C)
FT	Phillips Truss Head Tapping Screw (Special)
BH	Hexagon Head Bolt
BC	Socket Head Cap Screw
BS	Hexagon Bolt with Split Washer
B W	Hexagon Bolt with Split Washer and Flat Washer
BF	Hexagon Flange Bolt
BR	Cross-Recessed Hexagon Head Bolt
BRW	Cross-Recessed Hexagon Head Bolt with Split Lock Washer and Flat Washer
W L	Split Lock Washer
W T	External Tooth Washer
W F	Flat Washer
W S	Spring Washer
NH	Hexagon Nut
NF	Hexagon Flange Nut
NC	Hexagon Cap Nut
NS	Square Nut
N W	Wing Nut

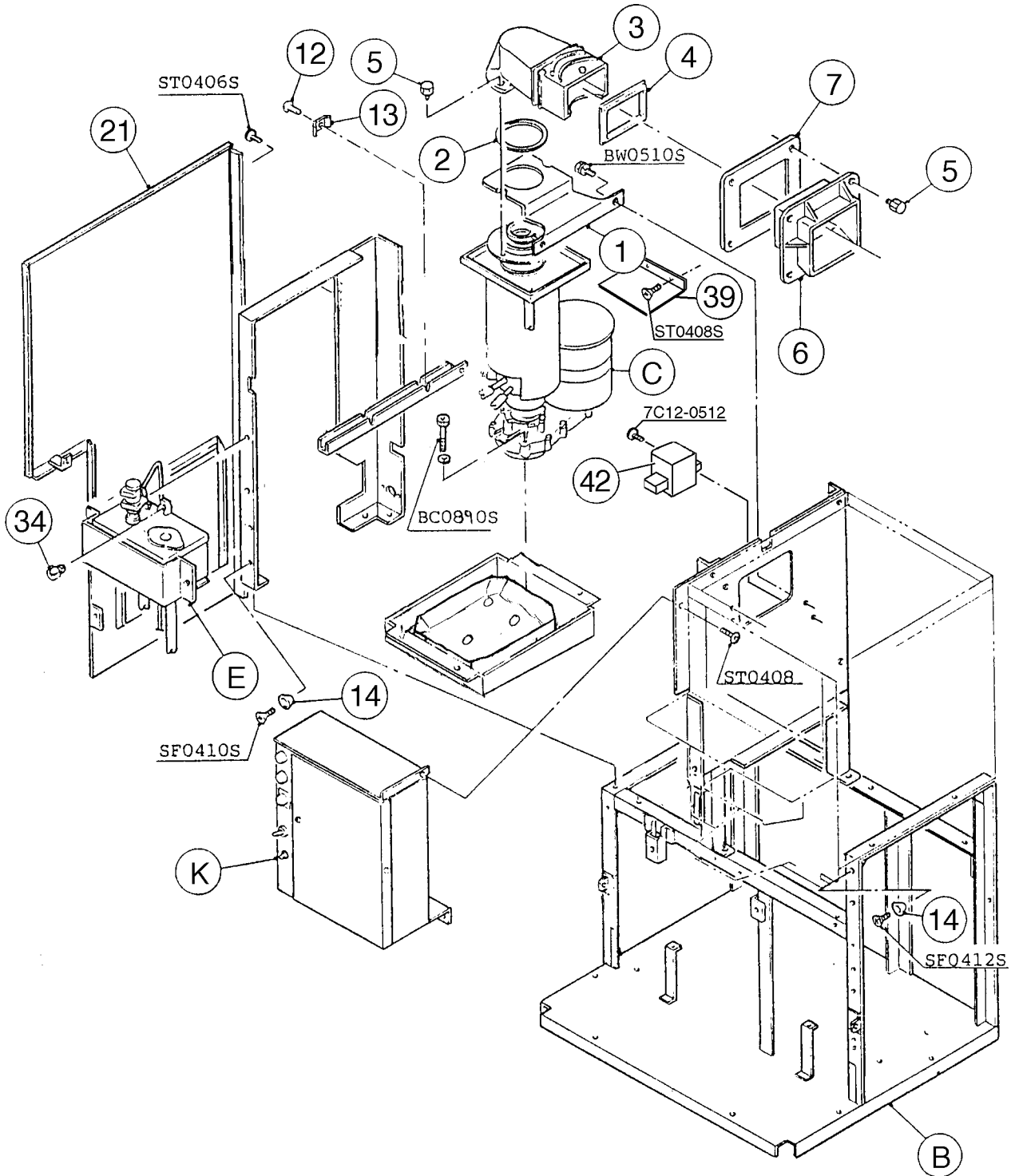


(Note) Second character is numerical except toe list.

Ex. S1, S2, B3 etc.

And abbreviations and names are shown under the illustration.





MODEL: **DCM-230FE** TITLE: **A. ICE DISPENSER ASSEMBLY**

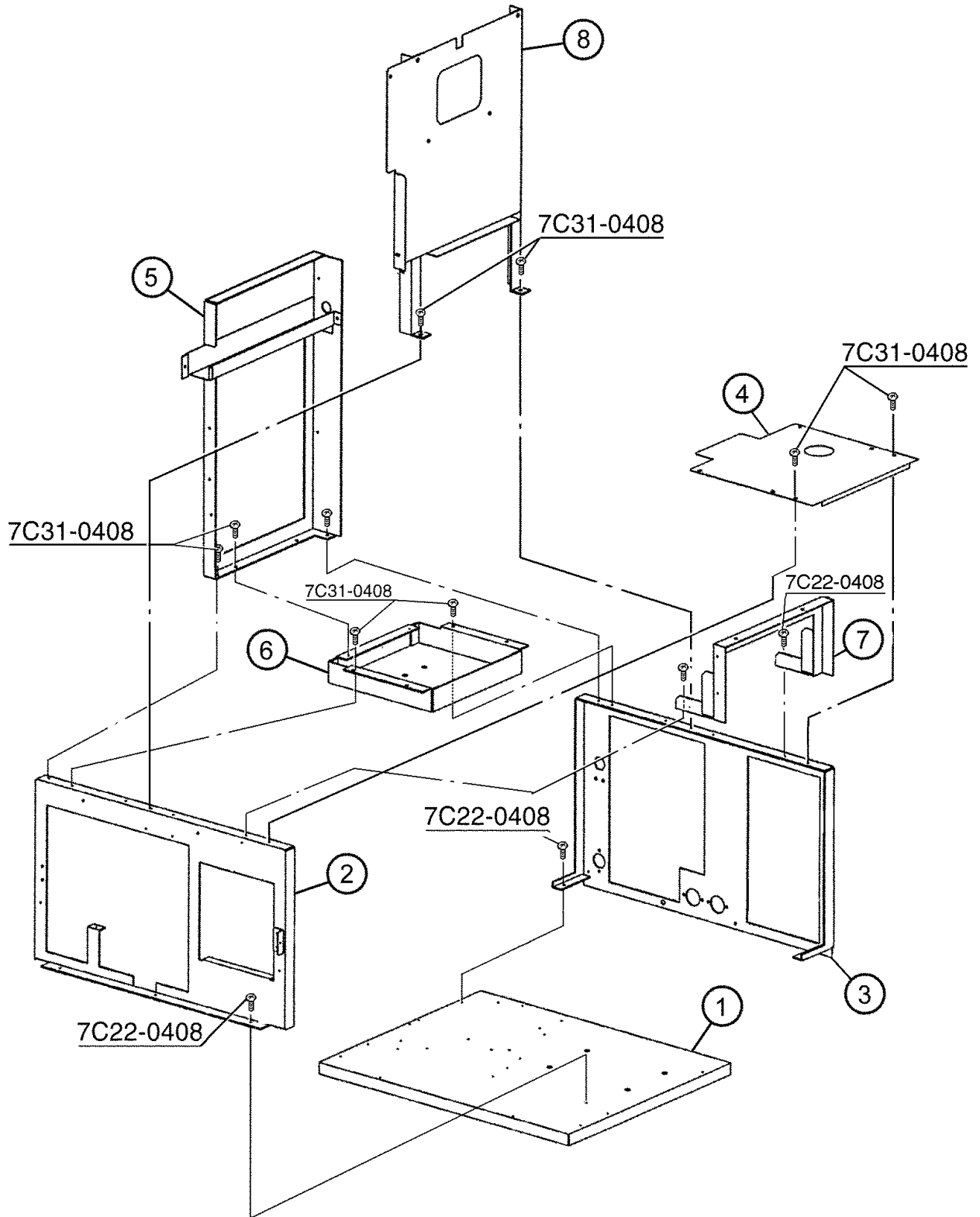
INDEX NO.	DESCRIPTION	MATERIAL OR MODEL NUMBER	PART NUMBER	REQUIRED NUMBER									
				H-0	J-0								
B	FRAME ASSEMBLY	-	2A0388A02	1	1								
C	EVAPORATOR ASSEMBLY	-	3A0623A02	1	1								
	SOCKET HEAD HEX BOLT	SS, 8 X 90	7S12-0890	3	3								
	SPLIT LOCK WASHER	SS, 8	7L22-0800	3	3								
D	REFRIGERATION CIRCUIT	-	227579A01	1	1								
E	WATER CIRCUIT	-	227578A01	1	1								
F	BIN ASSEMBLY	-	2A0413A01	1	1								
	TRUSS HEAD SCREW	SS, 4 X 8	7C32-0408	3	3								
	TRUSS HEAD SCREW	4 X 12	7C31-0412	2	2								
G	GEAR MOTOR ASSEMBLY	-	4A0622A01	1	1								
H	GEAR MOTOR ASSEMBLY	-	4A0620A01	1	1								
J	SHUTTER ASSEMBLY	-	2A0410A02	1	1								
	TRUSS HEAD SCREW	SS, 4 X 8	7C32-0408	2	2								
K	CONTROL BOX ASSEMBLY	-	227569A01	1	1								
	TRUSS HEAD SCREW	4 X 8	7C31-0408	3	3								
L	MIDDLE FRONT PANEL ASSEMBLY	-	2A0409A02	1	1								
	TRUSS HEAD SCREW	SS, 4 X 8	7C32-0408	2	2								
M	LABEL LOCATION	-	227585A01	1	1								
1	BRACKET - EVAPORATOR		3A0360-01	1	1								
	HEX HEAD BOLT W/WASHER (LF)	SS, 5 X 10	7B0230510	2	2								
2	PACKING		427151-02	1	1								
3	SPOUT		103329G01	1	1								
4	PACKING (A) - SPOUT		427195-01	1	1								
5	THUMBSCREW		415949G03	7	7								
6	SPOUT (B)		208807-01	1	1								
7	PACKING(B) - SPOUT		427196-01	1	1								

MODEL : DCM -230FE TITLE : A . ICE DISPENSER ASSEMBLY

INDEX NO.	DESCRIPTION	MATERIAL OR MODEL NUMBER	PART NUMBER	REQUIRED NUMBER							
				H-0	J-0						
8	GASKET		429758-01	2	2						
9	AUGER		339192G01	1	1						
10	THUMBSCREW		415949G05	11	11						
11	AGITATOR		3A0895G01	1	1						
12	SCREW - GROUNDING		433304-02	1	1						
13	WASHER		433537-02	1	1						
14	COLLAR		4H0171-01	2	2						
	FLAT HEAD SCREW	SS, 4 X 12	7C22-0412	2	2						
15	ICE CHUTE		439788G01	1	1						
16	THUMBSCREW		415949G08	4	4						
17	SPOUT COVER		215773-01	1	1						
18	PANEL (LO)		2A0699G01	1	1						
	FT SCREW	SS, 4 X 8	7F32-0408	6	6						
19	TRAY - DRIP		105219G01	1	1						
	TRUSS HEAD SCREW	SS, 4 X 8	7C32-0408	4	4						
20	REAR PANEL		227590-01	1	1						
	TRUSS HEAD SCREW	SS, 4 X 8	7C32-0408	4	4						
21	SIDE PANEL (L)		227576-01	1	1						
	TRUSS HEAD SCREW	SS, 4 X 8	7C32-0408	6	6						
22	SIDE PANEL (R)		2A0695-01	1	1						
	TRUSS HEAD SCREW	SS, 4 X 8	7C32-0408	6	6						
23	APRON PANEL		2A0720-01	1	1						
	TRUSS HEAD SCREW	SS, 4 X 8	7C32-0408	2	2						
	FLAT HEAD SCREW	SS, 4 X 12	7C22-0412	2	2						
24	TOP PANEL		3A0640G01	1	1						
25	FRONT PANEL		3A1089G01	1	1						
	TRUSS HEAD SCREW	SS, 4 X 8	7C32-0408	1	1						

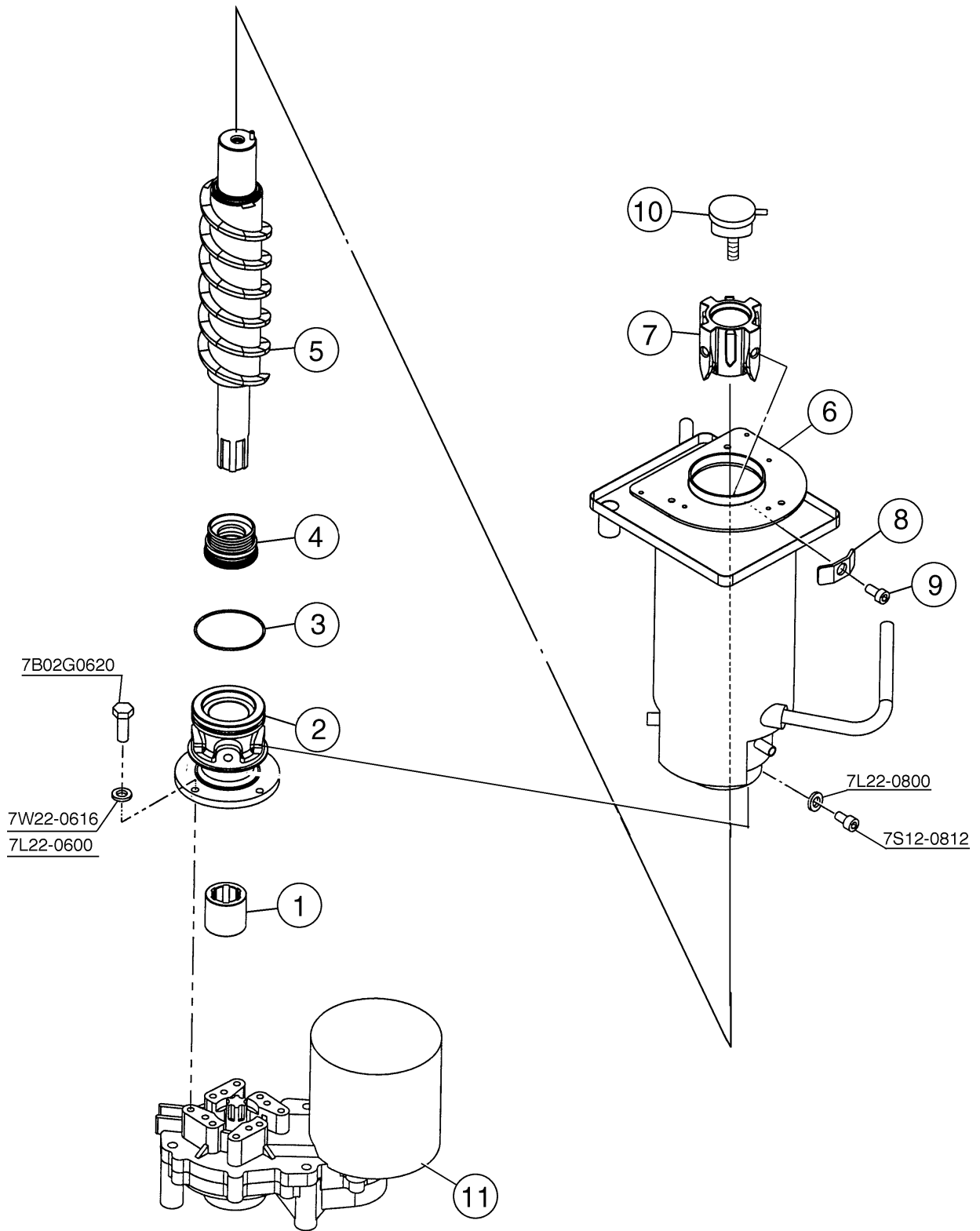
MODEL : DCM -230FE TITLE : A . ICE DISPENSER ASSEMBLY

INDEX NO.	DESCRIPTION	MATERIAL OR MODEL NUMBER	PART NUMBER	REQUIRED NUMBER									
				H-0	J-0								
26	STRIKE		4A0515-01	2	2								
27	LATCH		4A0508-03	2	2								
28	GRILLE		2A0827G01	1	1								
29	GUIDE - CUP		326702-01	2	2								
30	LOUVER (B)		103121-03	2	2								
31	AIR FILTER (B)		208283G03	1	1								
32	TAPPING SCREW - BLACK		433954-01	2	2								
33	SPACER		419945-01	2	2								
34	BUSHING		420472-03	1	1								
35	COVER – BIN		2A0880A01	1	1								
36	-		-										
37	-		-										
38	-		-										
39	MOTOR COVER		3A1058-01	1	1								
	TRUSS HEAD SCREW	SS, 4 X 8	7C32-0408	2	2								
40	BUSHING		450414-01	1	1								
41	POWER SUPPLY CORD		452359-02	1	1								
42	TRANSFORMER		436249-01	1	1								
	PAN HEAD SCREW W/WASHER (LF)	SS, 5 X 12	7C12-0512	4	4								



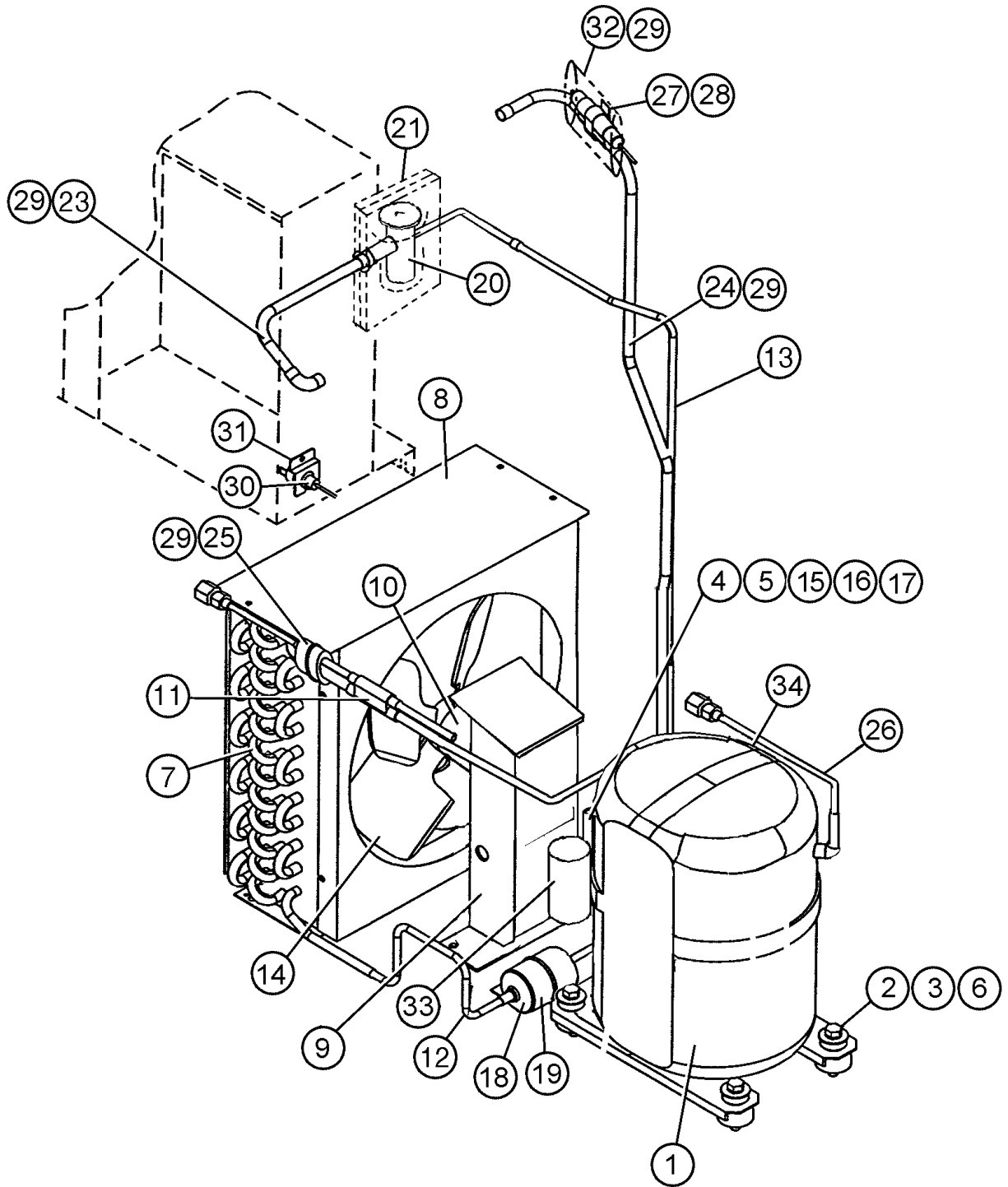
MODEL : DCM -230FE TITLE : B . FRAME ASSEMBLY

INDEX NO.	DESCRIPTION	MATERIAL OR MODEL NUMBER	PART NUMBER	REQUIRED NUMBER									
				H-0	J-0								
1	BASE		340235G01	1	1								
2	FRONT FRAME		2A0665G01	1	1								
	FT SCREW	SS, 4 X 8	7C22-0408	3	3								
3	REAR FRAME		227582-01	1	1								
	FT SCREW	SS, 4 X 8	7C22-0408	3	3								
4	SEPARATOR		3A0615-01	1	1								
	TRUSS HEAD SCREW	4 X 8	7C31-0408	2	2								
5	SIDE FRAME (R)		3A0355G01	1	1								
	TRUSS HEAD SCREW	4 X 8	7C31-0408	4	4								
6	DRAIN PAN		2A0677G01	1	1								
	TRUSS HEAD SCREW	4 X 8	7C31-0408	4	4								
7	SIDE FRAME (UP)		340238G01	1	1								
	TRUSS HEAD SCREW	4 X 8	7C31-0408	4	4								
8	CENTER PANEL		340237G01	1	1								
	TRUSS HEAD SCREW	4 X 8	7C31-0408	2	2								



MODEL : DCM -230FE TITLE : C . EVAPORATOR ASSEMBLY

INDEX NO.	DESCRIPTION	MATERIAL OR MODEL NUMBER	PART NUMBER	REQUIRED NUMBER									
				H-0	J-0								
1	COUPLING – SPLINE		4A1297-01	1	1								
2	HOUSING		2A0947G01	1	1								
	HEX BOLT (GOLD STAINLESS)	6 X 20	7B02G0620	4	4								
	PLAIN WASHER		7W22-0616	4	4								
	SPLIT LOCK WASHER	SS, 6	7L22-0600	4	4								
3	“O” RING	G65	7616-G065	2	2								
4	MECHANICAL SEAL	HK9A-MN DIAM 30	432492-01	1	1								
5	AUGER		2A0960G02	1	1								
6	EVAPORATOR		319154G02	1	1								
	SOCKET HEAD CAP SCREW	SS, 8 X12	7S12-0812	4	4								
	SPLIT LOCK WASHER	8	7L22-0800	4	4								
7	EXTRUDING HEAD – 70C		216530G01	1	1								
8	WASHER		427184-01	4	4								
9	SOCKET HEAD CAP SCREW	SS, 8 X 14	429121-01	4	4								
10	CUTTER		427183G01	1	1								
11	GEAR MOTOR		4A1296-01	1	1								

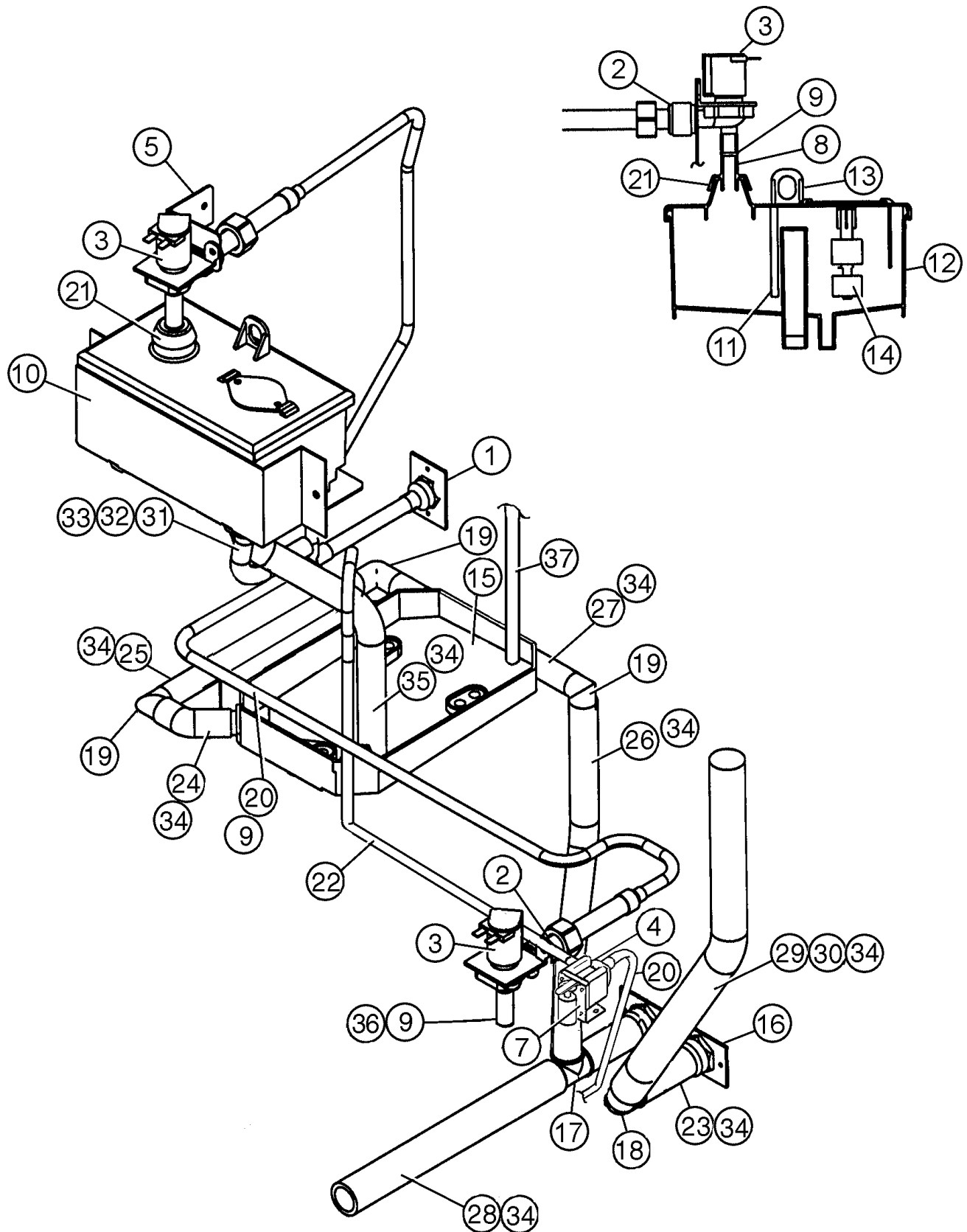


MODEL : DCM -230FE TITLE : D . REFRIGERATION CIRCUIT

INDEX NO.	DESCRIPTION	MATERIAL OR MODEL NUMBER	PART NUMBER	REQUIRED NUMBER									
				H-0	J-0								
1	COMPRESSOR		4A1462-01	1	1								
2	RUBBER GROMMET		4A1452-01	4	4								
3	SLEEVE		4A1451-01	4	4								
4	START RELAY		4A1455-01	1	1								
5	RELIEF ASSEMBLY		4A1454-01	1	1								
6	BOLT		4A1459-01	4	4								
7	CONDENSER		210104-02	1	1								
	FT SCREW	SS, 4 X 8	7F32-0408	2	2								
8	SHROUD		2A0728-01	1	1								
	T2 SCREW	4 X 8	7P31-0408	6	6								
9	FAN MOTOR BRACKET		3A0365-01	1	1								
10	FAN MOTOR		2U0076-01	1	1								
	HEX HEAD BOLT W/WASHER (LF)	SS, 5 X 12	7B0230512	4	4								
	SELF-LOCKING NUT	No. 8-32	7N21I0832	4	4								
11	COPPER TUBE	COPPER	340288G01	1	1								
12	COPPER TUBE	COPPER	453831-01	1	1								
13	COPPER TUBE	COPPER	340129-01	1	1								
14	FAN BLADE		425729-01	1	1								
15	COVER ASSEMBLY		4A1453-01	1	1								
16	WASHER		4A1450-01	4	4								
17	SCREW		425729F01	4	4								
18	DRIER		4A1113-01	1	1								
19	DRIER BRACKET		445847-01	1	1								
	FT SCREW	SS, 4 X 8	7F32-0408	1	1								
20	EXPANSION VALVE		4A1117-01	1	1								
21	EXP. VALVE COVER		4A1168-01	1	1								

MODEL : DCM -230FE TITLE : D . REFRIGERATION CIRCUIT

INDEX NO.	DESCRIPTION	MATERIAL OR MODEL NUMBER	PART NUMBER	REQUIRED NUMBER										
				H-0	J-0									
22	-		-											
23	COPPER TUBE	COPPER	453829G01	1	1									
24	COPPER TUBE	COPPER	227620G01	1	1									
25	INSULATION TUBE	L=30	7762-0717	2	2									
26	COPPER TUBE - ACCESS VALVE	COPPER	3A1299G01	1	1									
27	CLAMP		443461-01	2	2									
28	HOLDER/EXP. VALVE - 3/8		3A0107-01	2	2									
29	TIE	CV-150	7920-0003	11	11									
30	PRESSURE SWITCH		433441-07	1	1									
31	PRESSURE SWITCH BRCKT.		434938-01	1	1									
	T2 SCREW	4 X 8	7P31-0408	1	1									
32	INSULATION TUBE	L=150	7762-2646	1	1									
33	START CAPACITOR		4A1460-01	1	1									
34	INSULATION SHEET		4A0366-01	1	1									



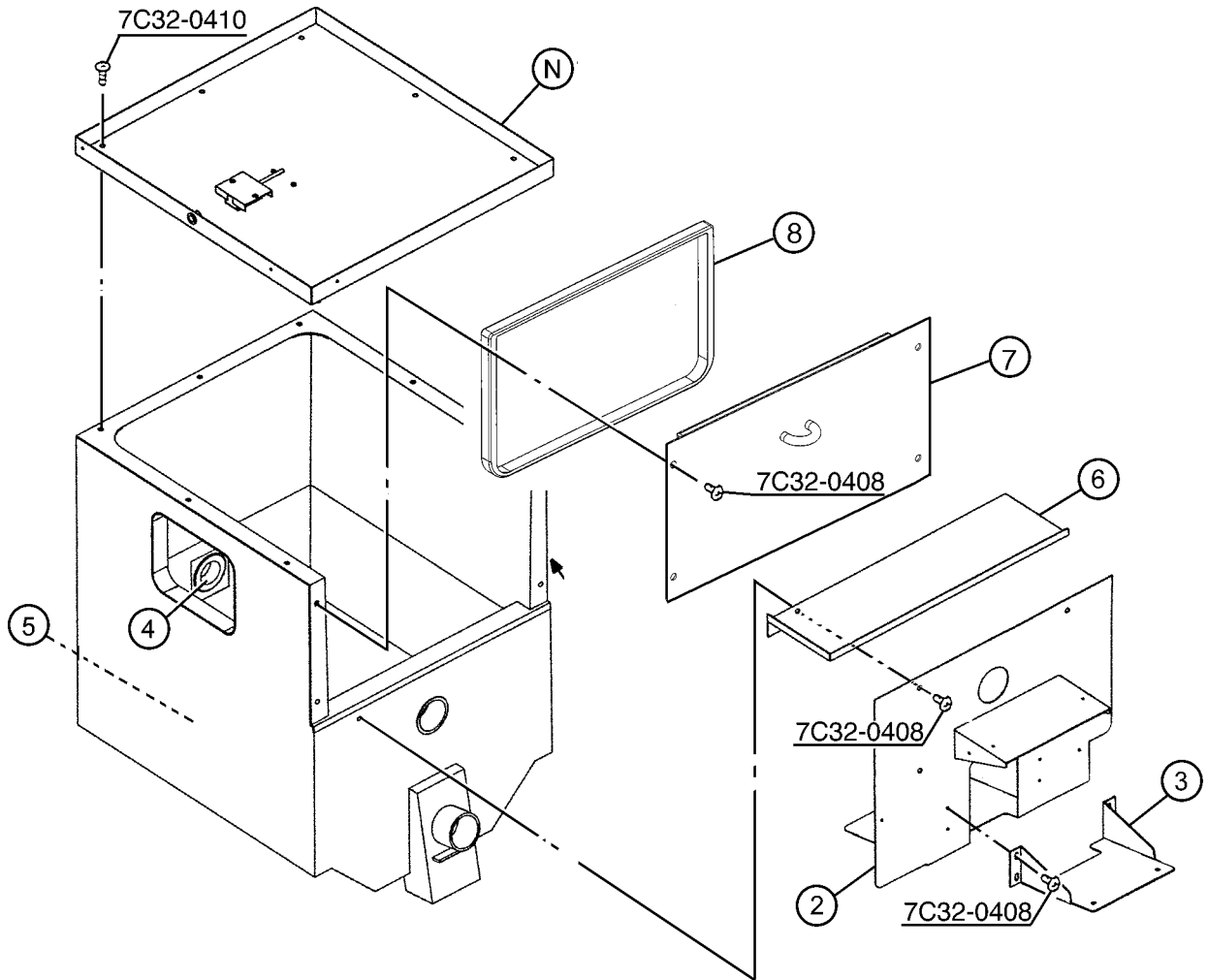
MODEL : DCM -230FE

TITLE : E . W A T E R C I R C U I T

INDEX NO.	DESCRIPTION	MATERIAL OR MODEL NUMBER	PART NUMBER	REQUIRED NUMBER							
				H-0	J-0						
1	WATER SUPPLY PIPE		2A0680G02	1	1						
	T2 SCREW	4 X 8	7P31-0408	2	2						
2	RUBBER GASKET		413854-02	2	2						
3	WATER VALVE		452358-03	2	2						
4	VALVE ASSEMBLY		320803A02	1	1						
	TRUSS HEAD SCREW	4 X 8	7C31-0408	6	6						
5	WATER VALVE BRACKET (A)		453689-01	1	1						
6	-	-	-								
7	WATER VALVE BRACKET (C)		453690-01	1	1						
	T2 SCREW	4 X 8	7P31-0408	4	4						
	TRUSS HEAD SCREW	4 X 8	7C31-0408	2	2						
8	HOSE (C)		425289-02	2	2						
9	CLAMP		435934-04	2	2						
10	BRACKET - RESERVOIR		3A0356-01	1	1						
	TRUSS HEAD SCREW	4 X 8	7C31-0408	2	2						
11	SEPARATOR - RESERVOIR		4A1255-01	1	1						
12	RESERVOIR		2A0753-01	1	1						
13	RESERVOIR COVER		214810-01	1	1						
14	FLOAT SWITCH		435490-01	1	1						
15	DRAIN PAN		323765G02	1	1						
16	FITTING		4A0776G01	2	2						
	T2 SCREW	4 X 8	7P31-0408	4	4						
17	TEE		4A0525-04	1	1						
18	ELBOW		4A1016-01	1	1						
19	ELBOW		4A1017-01	2	3						
20	VINYL HOSE	L=425	7725-0912	1	1						
21	COVER - RESERVOIR INLET		415094-01	1	1						

MODEL : DCM -230FE TITLE : E . W A T E R C I R C U I T

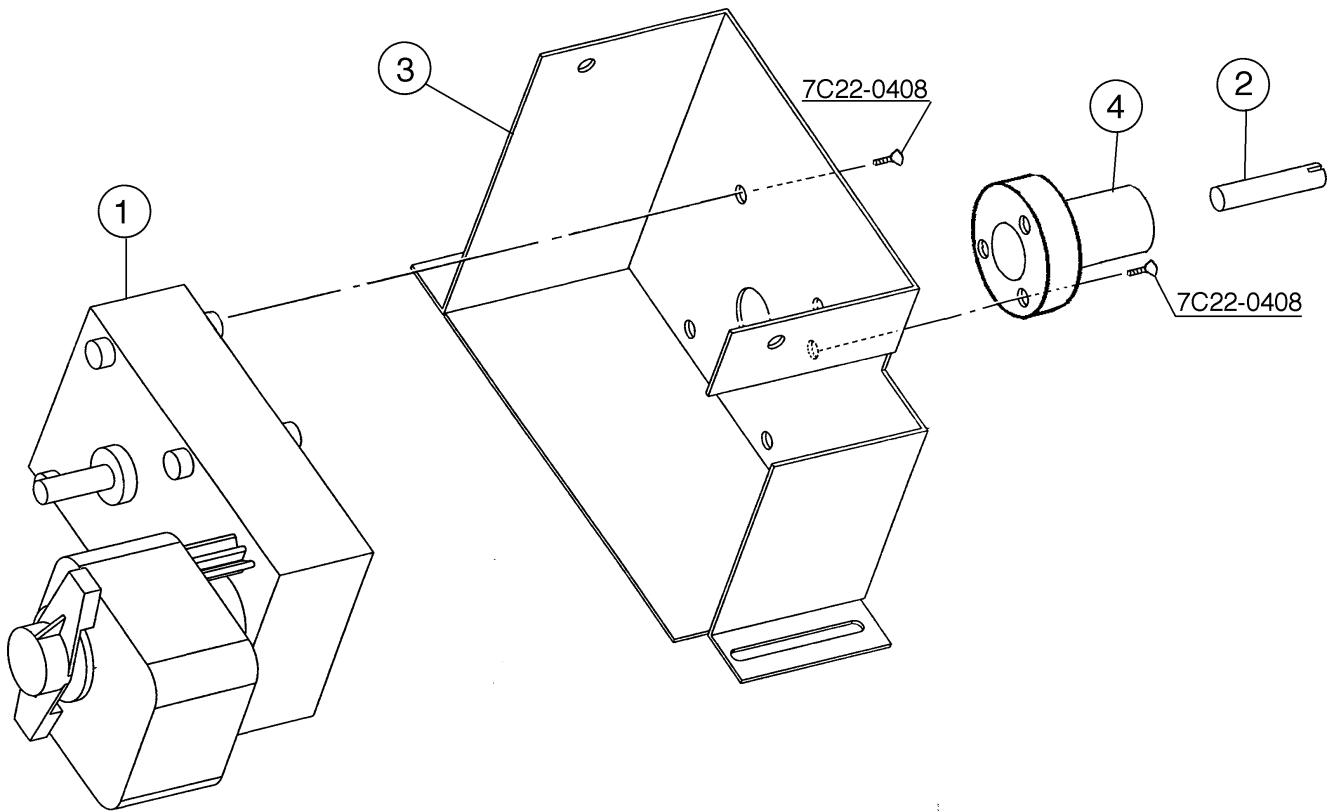
INDEX NO.	DESCRIPTION	MATERIAL OR MODEL NUMBER	PART NUMBER	REQUIRED NUMBER									
				H-0	J-0								
22	VINYL HOSE	L=630	7725-0912	1	1								
23	VINYL HOSE	L=70	7716-2025	1	2								
24	VINYL HOSE	L=50	7725-1923	1	1								
25	VINYL HOSE	L=240	7725-1923	1	1								
26	VINYL HOSE	L=320	7725-1923	1	1								
27	VINYL HOSE	L=205	7725-1923	1	1								
28	VINYL HOSE	L=250	4A0658L01	1	1								
29	VINYL HOSE	L=385	4A0658L01	1	1								
30	INSULATION HOSE	L=450	7762-2943	1	1								
31	RESERVOIR HOSE		4A1165-02	1	1								
32	CLAMP		435934-05	1	1								
33	CLAMP		435934-06	1	1								
34	CABLE TIE		7920-0003	18	18								
35	VINYL HOSE	L=350	7725-1923	1	1								
36	HOSE (C)		425289-05	1	1								
37	VINYL HOSE	L=500	7725-1923	1	1								



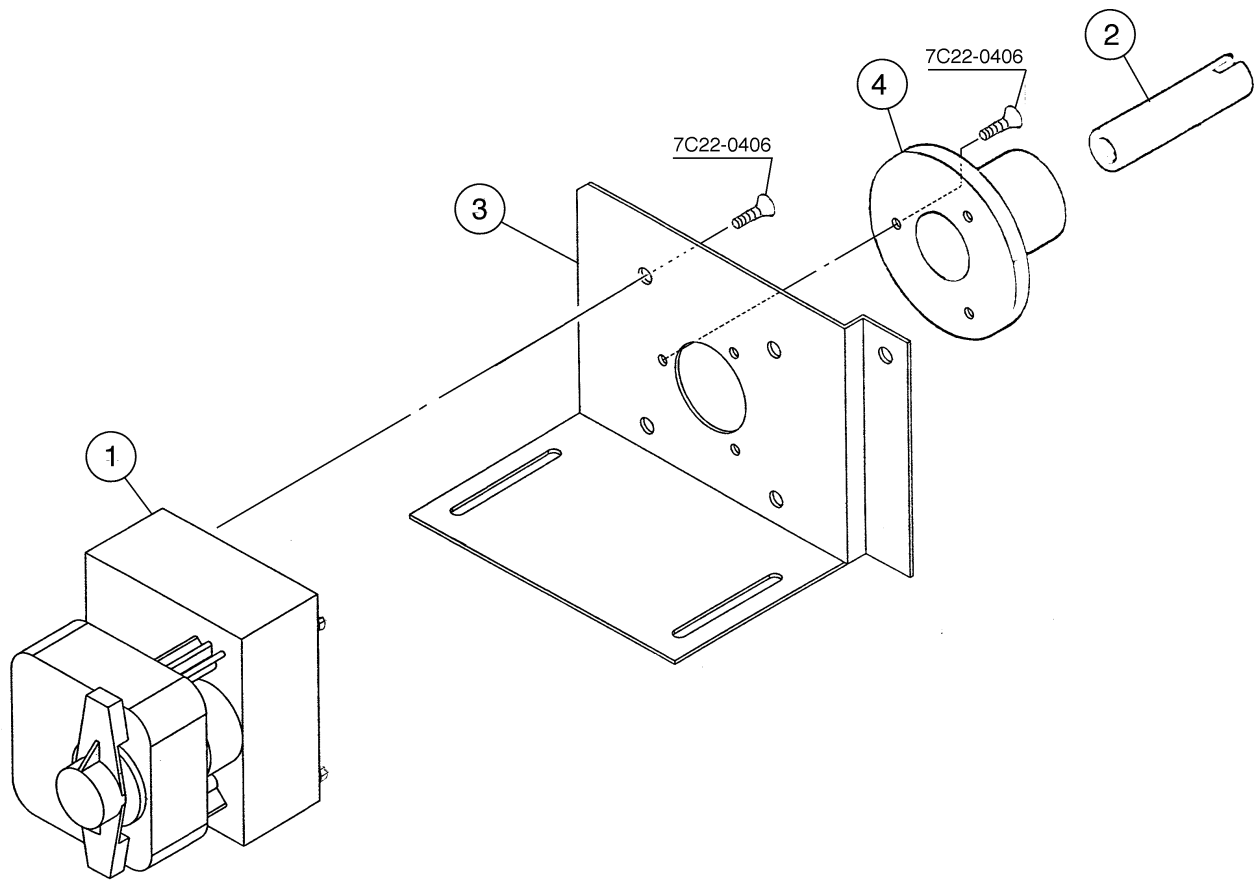
MODEL : DCM -230FE

TITLE : F . B IN ASSEM BLY

INDEX NO.	DESCRIPTION	MATERIAL OR MODEL NUMBER	PART NUMBER	REQUIRED NUMBER									
				H-0	J-0								
N	BIN TOP ASSEMBLY	-	3A0763A01	1	1								
	TRUSS HEAD SCREW	SS, 4 X 10	7C32-0410	7	7								
1	BIN - FORMED		103687G01	1	1								
2	BARRIER		2A0412G01	1	1								
	TRUSS HEAD SCREW	SS, 4 X 8	7C32-0408	3	3								
3	BRACKET - SLIDING		3A0364-01	1	1								
	TRUSS HEAD SCREW	SS, 4 X 8	7C32-0408	4	4								
4	SHAFT HOLDER (C)		429818-01	2	2								
5	"O" RING		7616-P032	2	2								
6	BARRIER - MOTOR		3A0644-01	1	1								
7	COVER - BIN	2A0880A01	2A0879G01	1	1								
8	PACKING (A) COVER		318984G01	1	1								



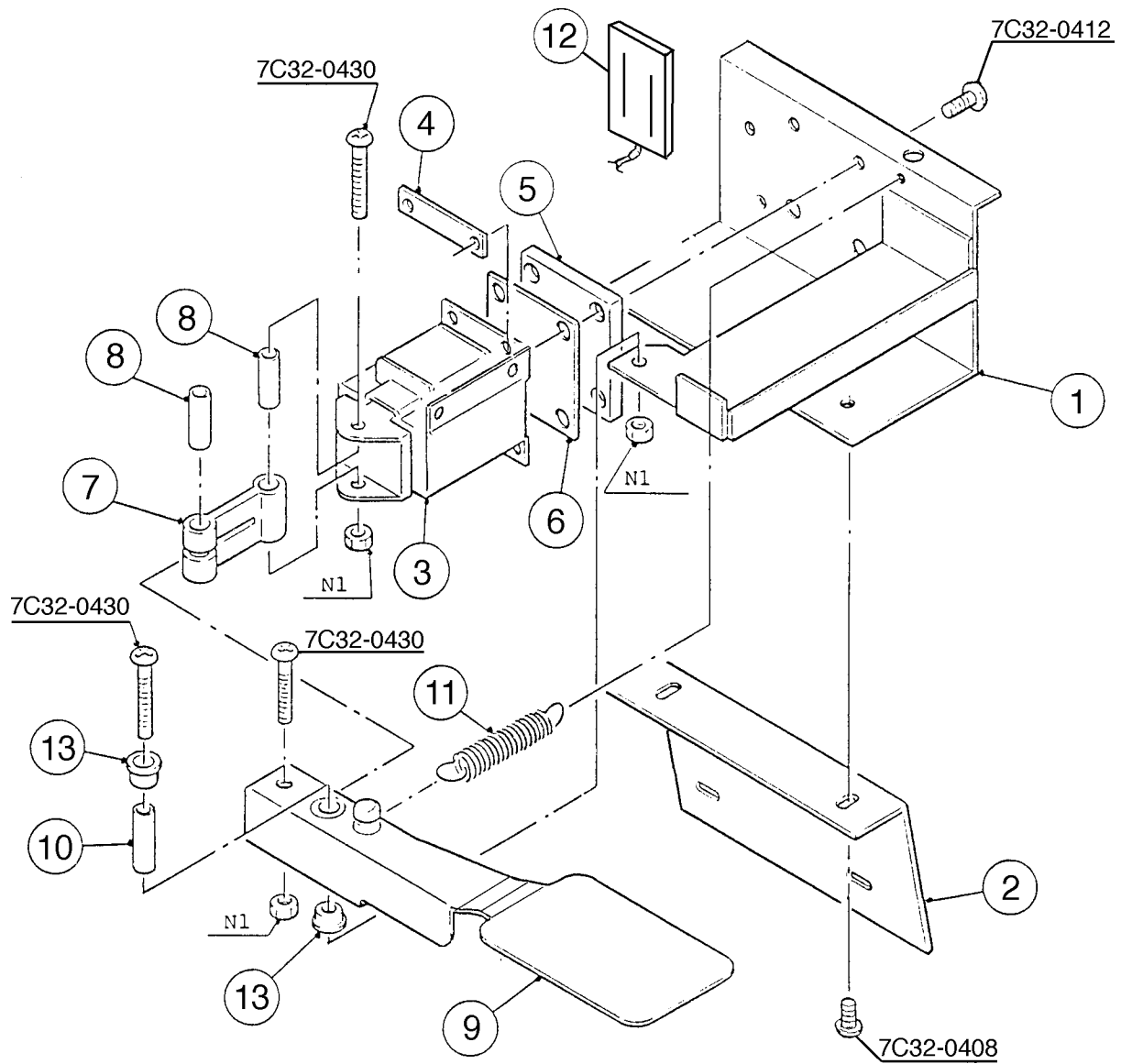
MODEL : DCM -230FE					TITLE : G . GEAR M O T O R ASSEM BLY								
INDEX NO.	DESCRIPTION	MATERIAL OR MODEL NUMBER	PART NUMBER	REQUIRED NUMBER									
				H-0	J-0								
1	GEAR MOTOR		2U0080-03	1	1								
2	JOINT		429764-01	1	1								
3	BRACKET A3 - GEAR MOTOR		3A0361-01	1	1								
	FLAT HEAD SCREW	SS, 4 X 6	7C22-0406	4	4								
4	PLASTIC SLEEVE (A)		429761-01	1	1								
	FLAT HEAD SCREW	SS, 4 X 8	7C22-0408	3	3								



MODEL : DCM -230FE

TITLE : H . GEAR M O T O R A S S E M B L Y

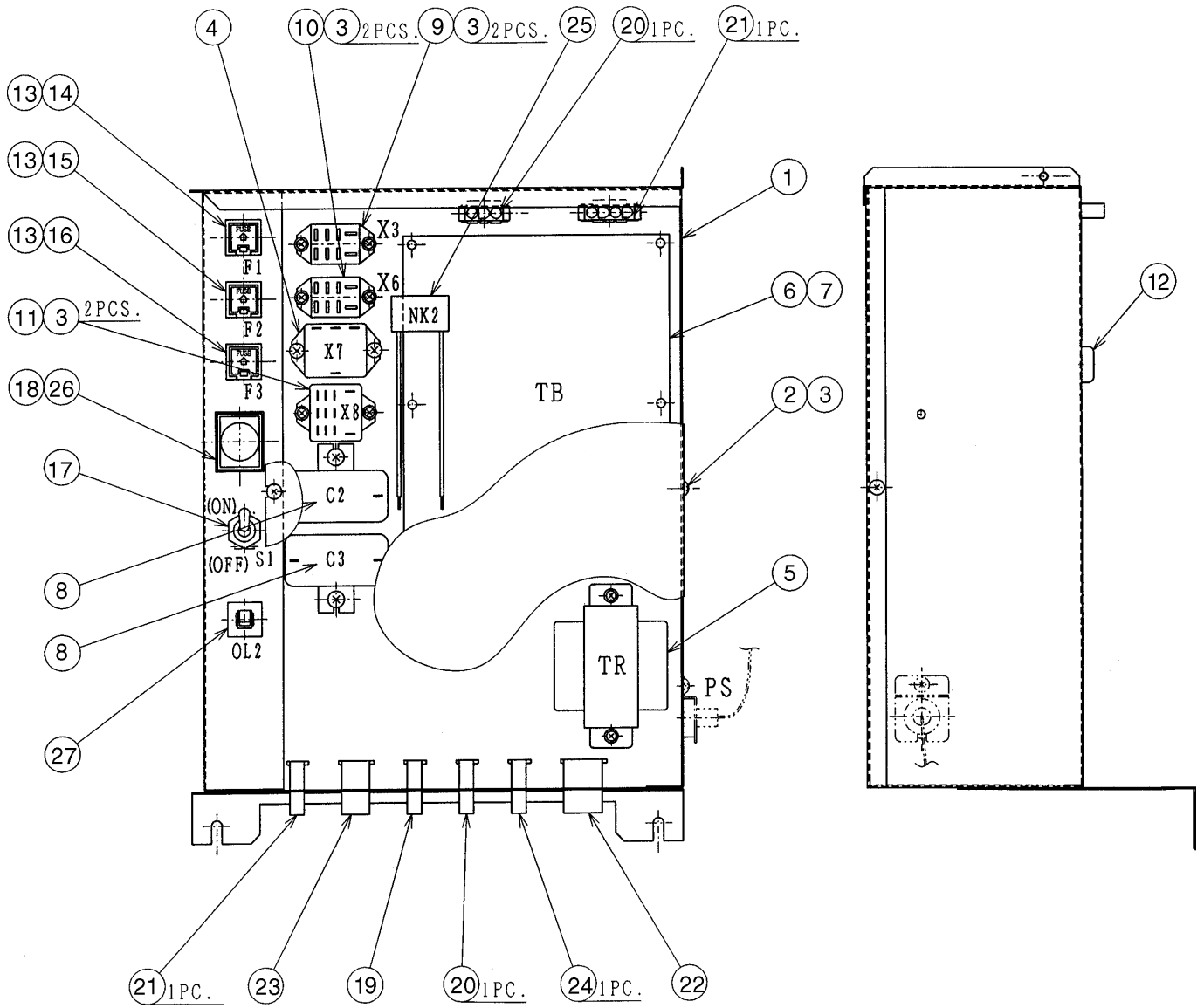
INDEX NO.	DESCRIPTION	MATERIAL OR MODEL NUMBER	PART NUMBER	REQUIRED NUMBER										
				H-0	J-0									
1	GEAR MOTOR		2U0080-01	1	1									
2	JOINT		429764-01	1	1									
3	BRACKET (B1) - GEAR MOTOR		4A0618-01	1	1									
	FLAT HEAD SCREW	SS, 4 X 6	7C22-0406	4	4									
4	PLASTIC SLEEVE (A)		429761-01	1	1									
	FLAT HEAD SCREW	SS, 4 X 8	7C22-0408	3	3									



MODEL : DCM -230FE

TITLE : J. SHUTTER ASSEMBLY

INDEX NO.	DESCRIPTION	MATERIAL OR MODEL NUMBER	PART NUMBER	REQUIRED NUMBER									
				H-0	J-0								
1	BASE - SHUTTER		3A0898G01	1	1								
2	BASE (B) - SHUTTER		320982-01	1	1								
	TRUSS HEAD SCREW	SS, 4 X 8	7C32-0408	2	2								
3	SOLENOID		3U0095-01	1	1								
4	SOLENOID NUT		429723-01	2	2								
5	SOLENOID PACKING		430380-01	1	1								
6	PACKING COVER		431623-01	1	1								
	TRUSS HEAD SCREW	SS, 4 X 12	7C32-0412	4	4								
7	LINK		432232-01	1	1								
8	COLLAR (D)		432471-01	2	2								
	TRUSS HEAD SCREW	SS, 4 X 30	7C32-0430	3	3								
	"U" NUT	SS, 4		3	3								
9	LEVER		318976G02	1	1								
10	COLLAR (E)		432240-02	1	1								
11	SPRING		432878-01	1	1								
12	R-C CAPACITOR		4A1343-01	1	1								
13	PLASTIC SLEEVE INSERT		432235-01	2	2								

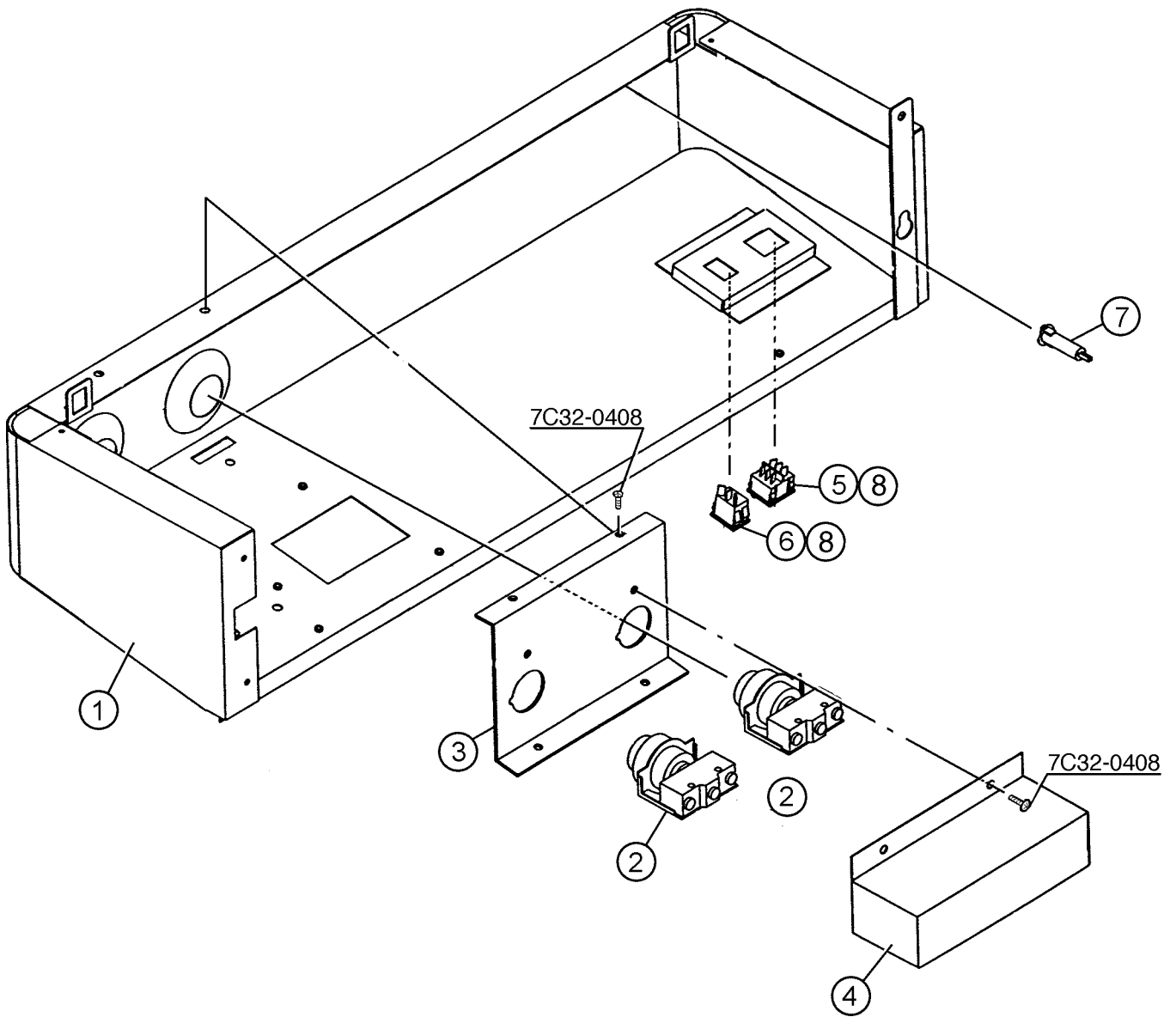


MODEL : DCM -230FE TITLE : K . CONTROL BOX ASSEMBLY

INDEX NO.	DESCRIPTION	MATERIAL OR MODEL NUMBER	PART NUMBER	REQUIRED NUMBER									
				H-0	J-0								
1	CONTROL BOX		227570G01	1	1								
2	COVER - CONTROL BOX		429931-01	1	1								
	TRUSS HEAD SCREW	4 X 6	7C31-0406	2	2								
3	TAPPING SCREW		431415-01	6	6								
4	JA RELAY	AC 120V	429574-02	1	1								
	T2 SCREW	4 X 8	7P31-0408	2	2								
5	TRANSFORMER	TR5267-1	2U0042-02	1	1								
	T2 SCREW	4 X 8	7P31-0408	2	2								
6	TIMER BOARD		2U0098-02	1	1								
7	BOARD SUPPORT		4A0336-03	6	6								
8	CAPACITOR	CME43B505DX	4A1386-01	2	2								
	T2 SCREW	4 X 8	7P31-0408	2	2								
9	RELAY	AC 24V	406132-06	1	1								
10	RELAY	AC 120V	418271-03	1	1								
11	RELAY	AC 120V	418179-03	1	1								
12	BUSHING	SB-625-8	420470-01	1	1								
13	FUSE HOLDER		438024-01	3	3								
14	FUSE		420468-03	1	1								
15	FUSE		420468-09	1	1								
16	FUSE		406519-08	1	1								
17	TOGGLE SWITCH		440443-01	1	1								
18	TIMER	AC 120V	438432-01	1	1								
19	2P PLUG HOUSING		412832-07	1	1								
20	3P PLUG HOUSING		412832-06	2	2								
21	4P PLUG HOUSING		412832-05	2	2								
22	9P PLUG HOUSING		412832-02	1	1								
23	6P PLUG HOUSING		412832-03	1	1								
24	4P PLUG HOUSING (RED)		412832-11	1	1								
25	R-C CAPACITOR		4A1343-01	1	1								

MODEL : DCM -230FE TITLE : K . CONTROL BOX ASSEMBLY

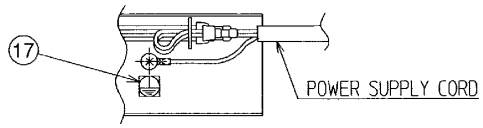
INDEX NO.	DESCRIPTION	MATERIAL OR MODEL NUMBER	PART NUMBER	REQUIRED NUMBER									
				H-0	J-0								
26	FRAME - TIMER		451696-01	1	1								
27	PROTECTOR		440972-01	1	1								



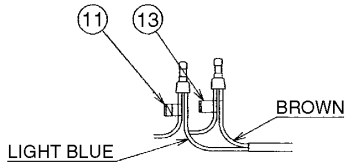
MODEL : DCM -230FE

TITLE : L . M I D D L E F R O N T P A N E L A S S E M B L Y

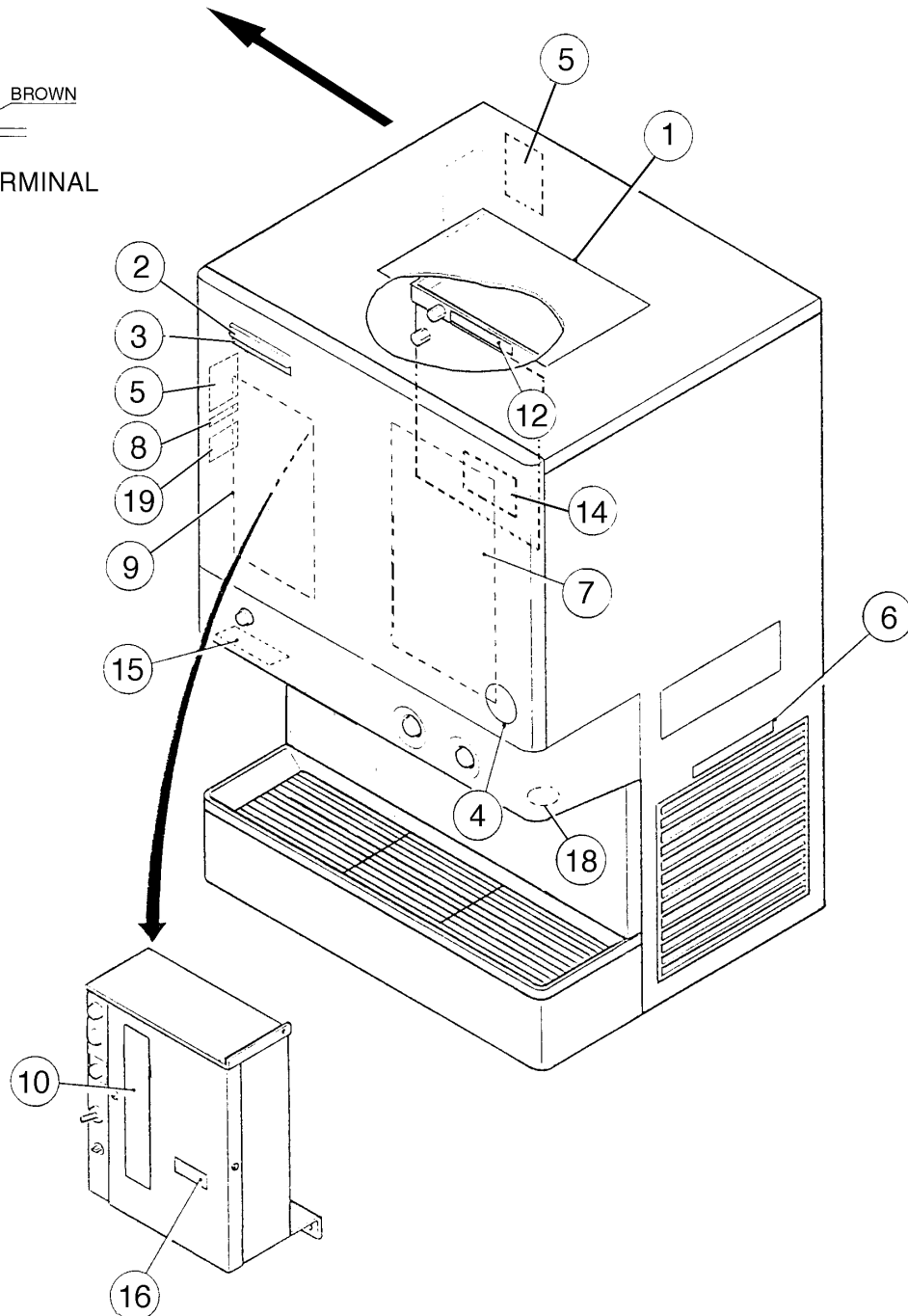
INDEX NO.	DESCRIPTION	MATERIAL OR MODEL NUMBER	PART NUMBER	REQUIRED NUMBER										
				H-0	J-0									
1	MIDDLE FRONT PANEL		2A0408G02	1	1									
2	PUSH SWITCH		435745-02	2	2									
3	SWITCH BRACKET		4A0614-01	1	1									
	TRUSS HEAD SCREW	SS, 4 X 8	7C32-0408	4	4									
4	BARRIER		450441-01	1	1									
	TRUSS HEAD SCREW	SS, 4 X 8	7C32-0408	2	2									
5	ROCKER SWITCH		450440-01	1	1									
6	ROCKER SWITCH		450440-02	1	1									
7	LAMP		448982-01	1	1									
8	BARRIER		450441-01	2	2									



DETAIL LABEL - GROUNDING (B)

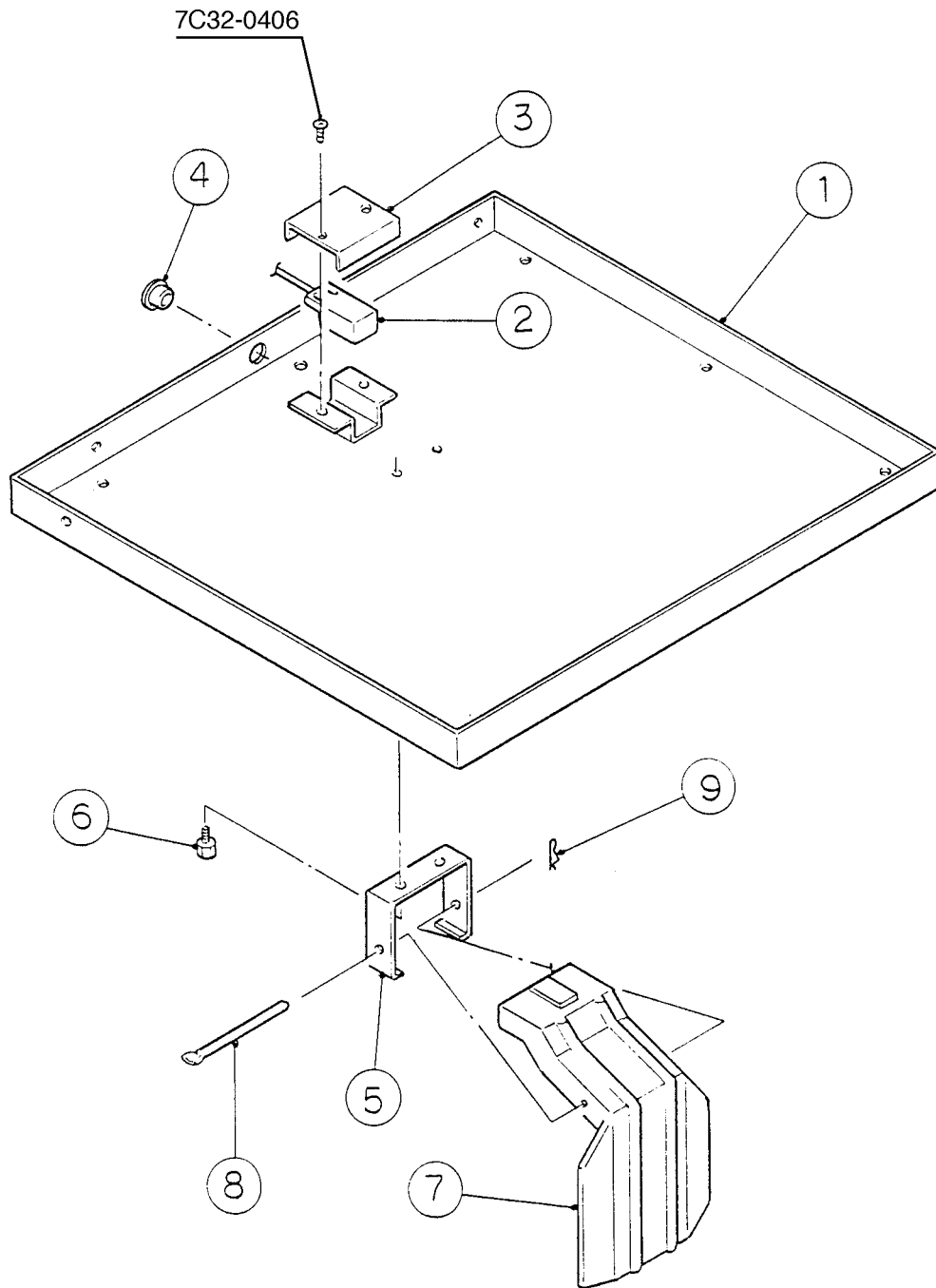


DETAIL LABEL - TERMINAL



MODEL : DCM -230FE TITLE : M . LABEL LOCATION

INDEX NO.	DESCRIPTION	MATERIAL OR MODEL NUMBER	PART NUMBER	REQUIRED NUMBER									
				H-0	J-0								
1	INSTRUCTION SHEET		2A1266-01	1	1								
2	EMBLEM		4A0560-01	1	1								
3	MODEL NUMBER LABEL		4A1321-19	1	1								
4	LABEL - PENGUIN - HA - L		4A0526-02	1	1								
5	NAMEPLATE		454036-01	1	1								
6	LABEL - AIR FILTER		426177-01	1	1								
7	INSTRUCTION LABEL		2A1343-01	1	1								
8	LABEL - VOLTAGE		427337-02	1	1								
9	WIRING LABEL		340239-01	1	1								
10	LABEL - SWITCH, FUSE		451400-01	1	1								
11	LABEL - TERMINAL		452379-01	1	1								
12	LABEL - CAUTION: TOP PANEL		430439-01	1	1								
13	LABEL - TERMINAL		452379-02	1	1								
14	INSTRUCTION SHEET - BIN COVER		446463-01	1	1								
15	LABEL - SWITCH		442139-01	1	1								
16	LABEL - R404A		4A0960-01	1	1								
17	LABEL GROUNDING (B)		450452-02	1	1								
18	LABEL DRAIN		442140-01	1	1								
19	LABEL CE		450668-01	1	1								



MODEL : DCM -230FE

TITLE : N . B I N T O P A S S E M B L Y

INDEX NO.	DESCRIPTION	MATERIAL OR MODEL NUMBER	PART NUMBER	REQUIRED NUMBER								
				H-0	J-0							
1	COVER - BIN TOP		210028G01	1	1							
2	PROXIMITY - SWITCH		427223-01	1	1							
3	BRACKET - SWITCH		427158-01	1	1							
	TRUSS HEAD SCREW	SS, 4 X 6	7C32-0406	2	2							
4	BUSHING		420470-07	1	1							
5	HINGE		3A0762-01	1	1							
6	THUMBSCREW		415949G04	2	2							
7	ACTUATOR		208795G01	1	1							
8	SHAFT		412337-03	1	1							
9	SNAP PIN		715S-0004	1	1							